

5325-W



UPC Code: 07847723330

NEMA:
5-15R



5325-W

Brand Features

Leviton's comprehensive Residential Grade Receptacles portfolio includes devices rated for all residential applications in a variety of standard configurations. They are produced in an array of colors in both Decora and traditional styles. All duplex receptacles are designed with thermoplastic construction and feature a shallow build for maximum wiring room. Each duplex is also equipped with break-off plaster ears and tabs to allow for easy alignment and two-circuit conversion.

Item Description

15 Amp, 125 Volt, NEMA 5-15R, 2P, 3W, Decora Duplex Receptacle, Straight Blade, Residential Grade, Grounding, Quickwire Push-In & Side Wired, Steel Strap, - White

Technical Information

Electrical Ratings

Voltage: 125 Volt

Amperage: 15 Amp

Environmental Specifications

Operating Temperature: -40C to 60C

Flammability: Rated V-2 per UL94

Material Specifications

Strap Material: Steel

Ground Clips: Brass-Plated

Face Material: Thermoplastic

Body Material: Thermoplastic

Terminal Screws: Brass

Color: White

Grounding Screw: Steel 8-32

Mechanical Specifications

Grounding: Grounding

Terminal ID: Brass-Hot, Green-Ground, White-Neutral

Terminal Accom.: 14-12 AWG

Product Features

Strap Material: Steel

Face Material: Thermoplastic

Warranty: 2 Year Limited

Color: White

Device Type: Duplex Receptacle

Termination: Quickwire Push-In & Side

Wire: 3

NEMA: 5-15R

Body Material: Thermoplastic

Voltage: 125 Volt

Amperage: 15 Amp

Standards and Certifications: UL/CSA

Pole: 2

Standards and Certifications

UL 498: File E13399

UL Listed: File E-13399

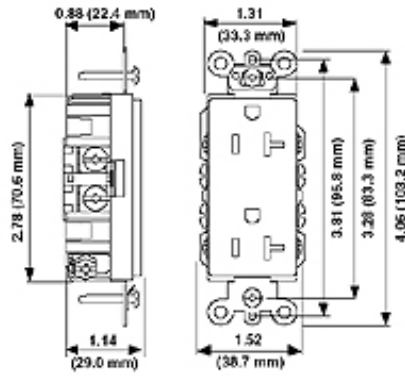
CSA C22.2 No. 42: File LR-406

NOM Certified: 057

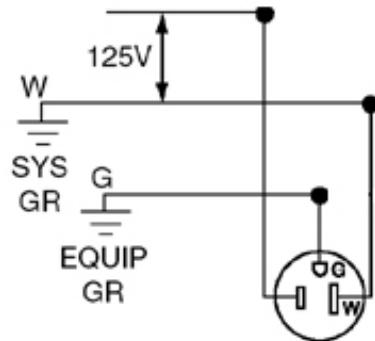
Features and Benefits

- Terminal screws accepts up to No. 12 AWG copper-clad wire
- Quickwire push-in terminals accept No. 14 AWG copper wire only.
- Double-wipe power contacts for reliable conductivity and plug retention.
- Heavy-gauge zinc-plated steel mounting strap
- Backed by a Limited Two-Year Warranty

Dimensional Diagram



Wiring Diagram



5-15R

SPECIFICATION SUBMITTAL

JOB NAME:	CATALOG NUMBERS:	
<input type="text"/>	<input type="text"/>	<input type="text"/>
JOB NUMBER:	<input type="text"/>	<input type="text"/>

Leviton Manufacturing Co., Inc.

201 North Service Road, Melville, NY 11747

Teléfono: +1-800-323-8920 · FAX: +1-800-832-9538 · Tech Line (8:30AM-7:30PM E.S.T. Monday-Friday): +1-800-824-3005

Leviton Manufacturing of Canada, Ltd.

165 Hymus Boulevard, Pointe Claire, Quebec H9R 1E9 · Telephone: +1-800-469-7890 ·

FAX: +1-800-824-3005 · www.leviton.com/canada

Leviton S. de R.L. de C.V.

Lago Tana 43, Mexico DF, Mexico CP 11290 · Tel.: (+52)55-5082-1040 · FAX: (+52)5386-

1797 · www.leviton.com.mx

Visit our Website at: www.leviton.com

© 2012 Leviton Manufacturing Co., Inc. Todos los derechos reservados. Subject to change without notice.

Leviton has a global presence.

If you would like to know where your local Leviton office is located please go to:

www.leviton.com/international/contacts/

