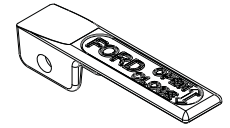
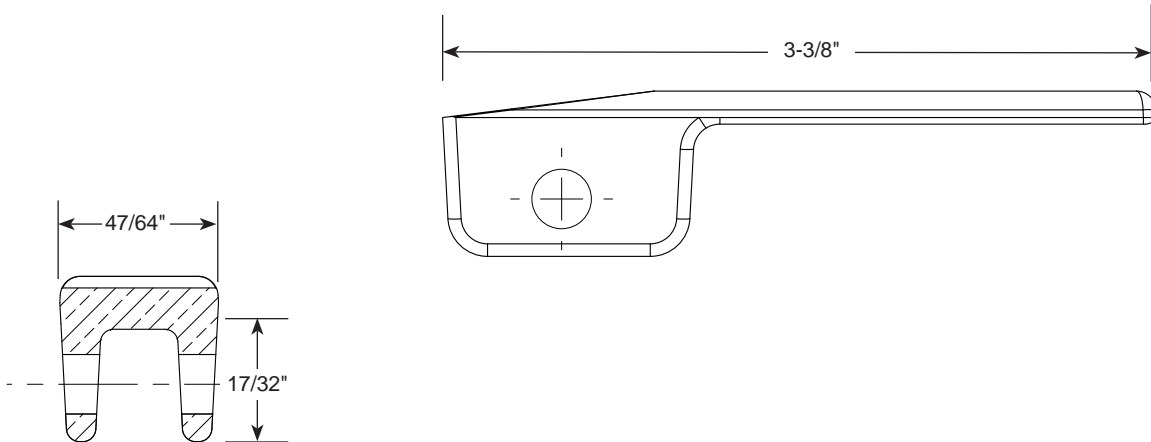


SUBMITTAL INFORMATION

Ball Valve Handle - (HB-2 style)



STRAIGHT LEVER HANDLE FOR 5/8" STRAIGHT AND ANGLE BALL VALVES



BALL VALVE SIZE	LENGTH	WIDTH	APPROX. WT. LBS	PART NUMBER	✓ SUBMITTED ITEM(S)
5/8"	3-3/8"	3/4"	0.20	HB-2	

FEATURES

- All brass conforms to AW W A Standard C800 (ASTM B-62 and ASTM B-584, UNS C83600 - 85-5-5-5)
- The handle shall be attached to the tee-head with a 1/4" x 1" silicon bronze bolt and brass hex nut (included)
- Handle provides easy cycling of a straight or angle ball valve

The Ford Meter Box Company considers the information in this submittal form to be correct at the time of publication. Item and option availability, including specifications, are subject to change without notice. Please verify that your product information is current.



The Ford Meter Box Company, Inc.

P.O. Box 443, Wabash, Indiana U.S.A. 46992-0443

Phone: 260-563-3171 / Fax: 800-826-3487

Overseas Fax: 260-563-0167

<http://www.fordmeterbox.com>

11/08/12

Submitted By: