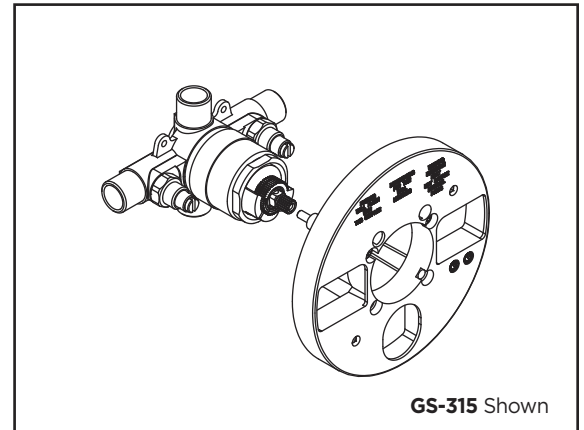




GS-315 Series Gerber PLUS™ Valve Pressure Balance Valve

Features:

- Compact valve body design
- Washerless cartridge
- Solid brass maintenance stops
- IPS/Sweat, PEX-b/c, CPVC, or PEX-a connections
- Back to back installation feasible
- Fits all decorative trim kits - Maxwell®, Allerton™, Brianne™, Abigail™, Wicker Park™, Logan Square™, Riverdale®, Waveland™ and Carol Stream™
- Thin wall installation bracket included
- Gerber Pak, 6 pcs per carton, available on all SKUs
- Single pack available on selective items
- Optional kits, 97-383 or 97-384, available for additional 1" extension to compensate valve installed deeper in wall

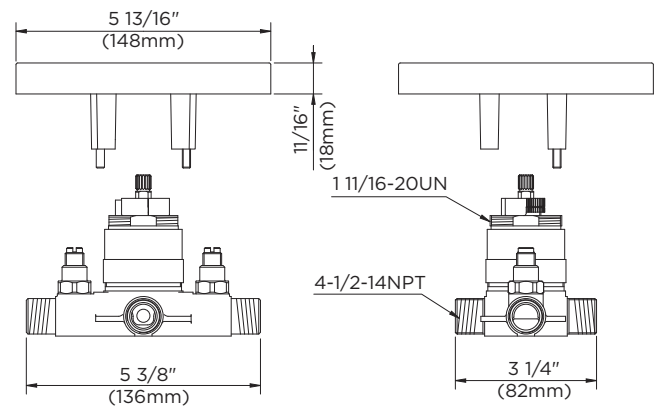


Standards & Certifications:

- ASME A112.18.1M
- ANSI A117.1
- IAPMO/cUPC

Catalog Numbers:

- GS-315** IPS/sweat connections, single pack
- GS-315-PK** IPS/sweat connections, Gerber Pak
- GS-314-PK** PEX-b/c connections, Gerber Pak
- GS-313-PK** CPVC connections, Gerber Pak
- GS-317-PK** PEX-a connections, Gerber Pak



GS-315 & GS-315-PK

Prefixes Available:

None

Suffixes Available:

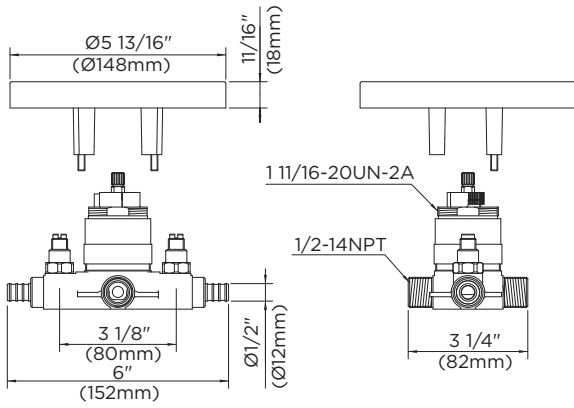
None

Job Name	
Date	
Model Specified	
Quantity	
Customer	
Contractor	
Architect/engineer	

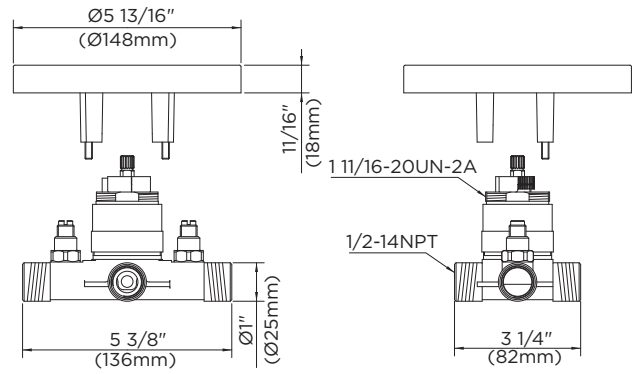
Gerber Toll Free Technical Support: 888-648-6466
www.gerberonline.com



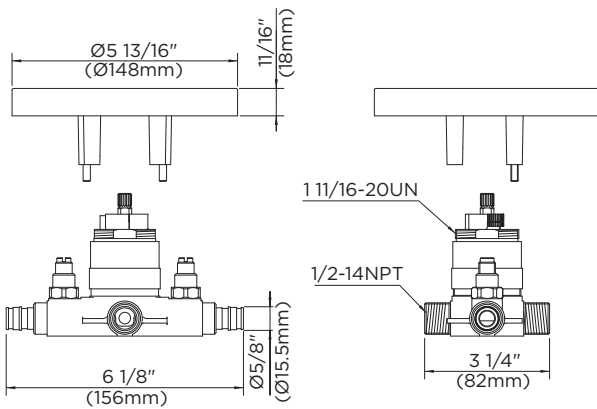
GS-315 Series Gerber PLUS™ Valve Pressure Balance Valve



GS-314-PK



GS-313-PK



GS-317-PK