

**Specification Submittal Data / Panasonic Precision Spot Ventilation Fan with Dual Sensor Technology**

**Description**

Ventilating fan shall be low noise ceiling mount type rated for continuous operation. Fan shall be ENERGY STAR® rated and certified by the Home Ventilating Institute (HVI). Evaluated by the Underwriters Laboratories and conform to both UL and cUL standards.

**Motor/Blower:**

- Enclosed brushless ECM motor technology rated for continuous run.
- Fan ventilation rates shall be manually adjustable for 50-80-110 CFM.
- Power rating shall be 120 volts and 60 Hz.
- Fan shall be UL and cUL listed for tub/shower enclosure when GFCI protected.
- Motor equipped with thermal-cutoff fuse.
- Removable with permanently lubricated plug-in motor.

**Housing:**

- 26 gauge Zinc-Aluminum-Magnesium (ZAM) housing.
- Integrated dual 4" or 6" diameter duct adapter.
- Built-in damper reduces back drafting and helps with blower door testing.
- Built-in metal flange provides blocking for penetrations through drywall as an Air Barrier, and assists with the decrease in leakage in the Building Envelope during blower door testing.
- Articulating and expandable installation bracket up to 24".

**Ceiling Radiation Damper:**

- WhisperSense DC is UL listed for use with the Panasonic Ceiling Radiation Damper (Model #: PC-RD05C5, sold separately).

**Grille:**

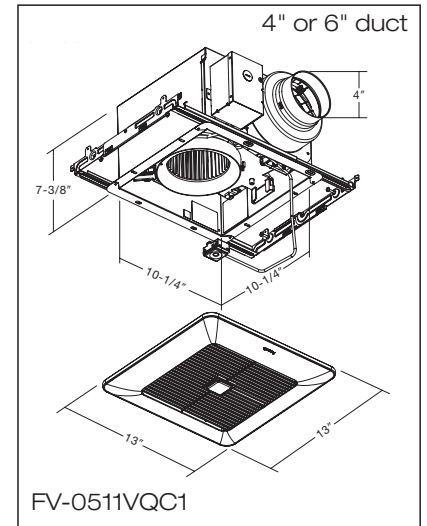
- Attractive design using Poly Pro material.
- Attaches directly to housing with torsion springs

**Warranty:**

- ECM Motor: 6 Years from original purchase date.
- ALL Parts: 3 Years from original purchase date.

**Architectural Specifications:**

Ventilation fan shall be UL and cUL listed for ceiling mount and tub/shower enclosure when GFCI protected. Fan shall also be ENERGY STAR® certified, with a built-in speed selector. Choose from 50-80-110 CFM and no more than <0.3/<0.3/<0.3 sone as certified by the Home Ventilating Institute (HVI) at 0.1 static pressure in inches water gauge (w.g.) with no less than 53-83-111 CFM and no more than 0.4/0.6/0.9 sone as certified by HVI at 0.25 w.g. Power Consumption shall be no greater than 4.0/5.9/10.6 watts at 0.1 w.g. and 7.2/10.8/16.4 watts at 0.25 w.g., with efficiency of no less than 12.5/13.6/10.6 CFM/watt at 0.1 w.g. and 7.4/7.7/6.9 CFM/watt at 0.25 w.g. The motor shall be totally enclosed with a brushless ECM motor engineered to run continuously. ECM motor speed shall automatically increase when the fan senses static pressure to maintain selected CFM. Power rating shall be

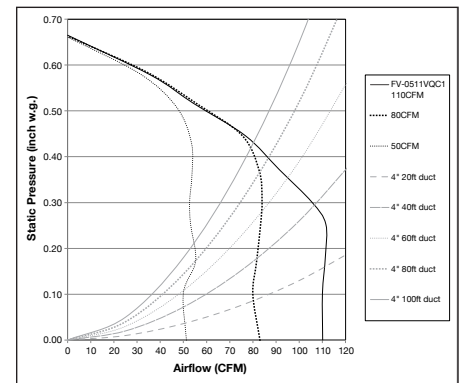


120V/60Hz. Duct diameter shall be no less than 4", inclusive of an integrated dual 4" or 6" duct adapter. Dual motion and humidity sensors with adjustable delay off timer that can be set from 30 seconds to 60 minutes. Humidity sensor is the rapid rise in relative humidity (RH) type with user-adjusted set points between ~30% to ~80% RH. Fan shall be UL and cUL listed for tub/shower enclosure when GFCI protected. Fan shall be used to comply with ASHRAE 62.2, LEED, ENERGY STAR® IAP, EarthCraft, California Title-24, WA Ventilation Code and CALGreen.

Specifications: <b>WhisperSense DC FV-0511VQC1</b>		4"		4"		4"	
<b>Ventilation Fan Characteristics</b> (HVI Certified Data)	Static Pressure in inches w.g.	0.1	0.25	0.1	0.25	0.1	0.25
	Air Volume (CFM)	110	111	80	83	50	53
	Noise (sones)	<0.3	0.9	<0.3	0.6	<0.3	0.4
	Power Consumption (watts)	10.6	16.4	5.9	10.8	4.0	7.2
	Energy Efficiency (CFM/Watt)	10.6	6.9	13.6	7.7	12.5	7.4
	Speed (RPM)	957	1239	821	1172	756	1093
	Current (amps)	0.18	0.26	0.11	0.18	0.07	0.13
	MAX. Current (amps)	0.27					
	Power Rating (V/Hz)	120/60					
	ENERGY STAR rated	Yes					

0.25=Installed Performance

**Performance Curve 4" Duct**



For complete Installation Instructions visit [us.panasonic.com/ventfans](http://us.panasonic.com/ventfans)

Model	Quantity	Comments	Project:
			Location:
			Architect:
			Engineer:
			Contractor:
			Submitted by:
			Date:

**Panasonic Eco Solutions North America**  
Eco Products Division  
Two Riverfront Plaza  
Newark, NJ 07102



**ECM Motor Technology**

When the fan senses static pressure, its speed is automatically increased to ensure that the desired CFM is not compromised, which allows the fan to perform as rated.

[us.panasonic.com/ventfans](http://us.panasonic.com/ventfans)

