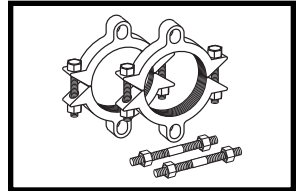


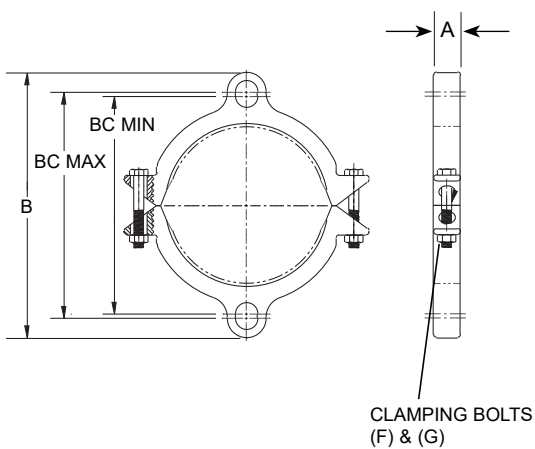
SUBMITTAL INFORMATION



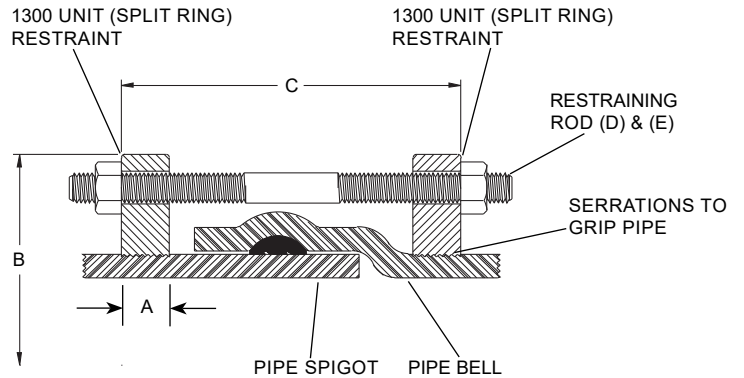
Uni-Flange® Restraint - (UFR1390-C-x-RB-U style)

**SERIES 1390-C RESTRAINT DEVICE (WITH BLUE FLUOROCARBON-COATED ACCESSORIES)
FOR C900 PVC AND DUCTILE IRON PIPE PIPE BELL JOINTS**

1300 SPLIT RESTRAINT



1390 ASSEMBLY



NOM PIPE SIZE	PVC PIPE WITH DI PIPE OD STYLE 1390-C		A	B APPROX	C MAX	RESTRAINING RODS		CLAMPING BOLTS		BC MIN	BC MAX	✓SUBMITTED ITEMS
	OD	CATALOG No.				No. D	SIZE E	No. F	SIZE G			
4"	4.80	UFR1390-C-4-RB-U	1-1/8"	9-1/8"	15"	2	3/4" x 17"	4	5/8" x 3-1/2"	7.12"	7.50"	
6"	6.90	UFR1390-C-6-RB-U	1-1/8"	11-1/8"	15"	2	3/4" x 17"	4	5/8" x 3-1/2"	9.14"	9.50"	
8"	9.05	UFR1390-C-8-RB-U	1-1/4"	14-5/8"	15"	2	3/4" x 17"	4	3/4" x 4"	11.36"	13.00"	
10"	11.10	UFR1390-C-10-RB-U	1-3/8"	16-5/8"	22"	4	3/4" x 24"	4	7/8" x 5"	13.19"	15.00"	
12"	13.20	UFR1390-C-12-RB-U	1-3/8"	19-1/4"	22"	4	3/4" x 24"	4	7/8" x 5"	16.13"	17.62"	

FEATURES

- 4" - 12" sizes: Cast ductile iron per ASTM A536 grade 65-45-12
- 360° contact and support of the pipe wall
- Restraining rods are high strength, low alloy steel per ANSI / AWWA C111 / A21.11, with blue fluorocarbon-coating
- Clamping bolts and nuts are Grade 5 with blue fluorocarbon-coating
- Black e-coat epoxy-coated
- Rated at full-rated pressure of any class of PVC pipe, minimum 2:1 safety factor.
- Ductile iron pipe shall have the following pressure ratings: 4" through 8" = 250 psi
10" and 12" = 200 psi

The Ford Meter Box Company considers the information in this submittal form to be correct at the time of publication. Item and option availability, including specifications, are subject to change without notice. Please verify that your product information is current.



The Ford Meter Box Company, Inc.

P.O. Box 443, Wabash, Indiana U.S.A. 46992-0443

Phone: 260-563-3171 / Fax: 800-826-3487

Overseas Fax: 260-563-0167

www.fordmeterbox.com



06/14/19

Submitted By: