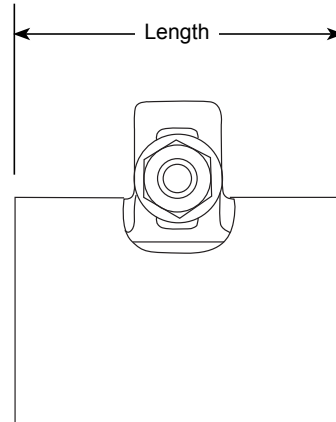
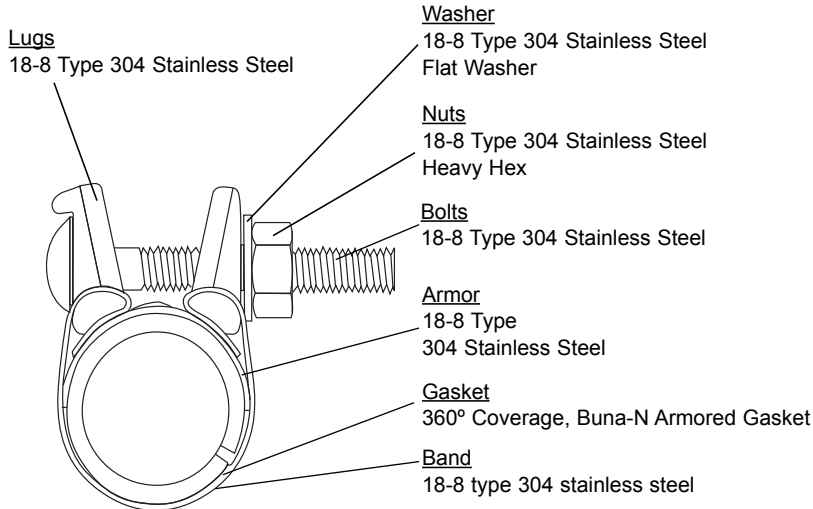


SUBMITTAL INFORMATION

Wrap Clamps - (FLSC-xxx-xR style)



ALL STAINLESS STEEL REPAIR CLAMPS WITH FULL WRAP GASKETS



NOM. PIPE SIZE	PIPE O.D. RANGE	LENGTH AND APPROXIMATE WEIGHT (LBS.)		BOLT SIZE	CATALOG NUMBER	✓ SUBMITTED ITEM(S)
		3"	6"			
1/2"	0.625	.74	N/A	3/8"X3-1/2"	FLSC-063-3R	
	0.84	.70	-		FLSC-084-3R	
3/4"	0.875	-	1.42		FLSC-084-6R	
		.70	-		FLSC-088-3R	
	1.05	-	1.41		FLSC-088-6R	
		.78	-		FLSC-105-3R	
1"	1.125	-	1.56		FLSC-105-6R	
		.76	-		FLSC-113-3R	
	1.32	-	1.52		FLSC-113-6R	
		.76	-		FLSC-132-3R	
1-1/4"	1.375	-	1.58		FLSC-132-6R	
		0.83	-		FLSC-138-3R	
	1.66	-	1.55		FLSC-138-6R	
		.92	-		FLSC-166-3R	
1-1/2"	1.625	-	1.87	FLSC-166-6R		
		.94	-	FLSC-163-3R		
	1.90	-	1.90	FLSC-163-6R		
		1.03	-	FLSC-190-3R		
2"	2.125	-	2.04	FLSC-190-6R		
		1.60	-	FLSC-213-3R		
	2.38	-	3.20	FLSC-213-6R		
		1.48	-	FLSC-238-3R		
Bolt Quantity		1	2	7/16"x4"	FLSC-238-6R	

FEATURES AND OPTIONS

- Drop-in bolt design allows bolts to remain attached - no loose parts to lose in the ditch
- Gaskets are light-grid design and extend lug to lug
- All Stainless Steel construction for enhanced corrosion resistance

The Ford Meter Box Company considers the information in this submittal form to be correct at the time of publication. Item and option availability, including specifications, are subject to change without notice. Please verify that your product information is current.



The Ford Meter Box Company, Inc.

P.O. Box 443, Wabash, Indiana U.S.A. 46992-0443

Phone: 260-563-3171 / Fax: 800-826-3487

Overseas Fax: 260-563-0167

<http://www.fordmeterbox.com>

01/31/12

Submitted By: