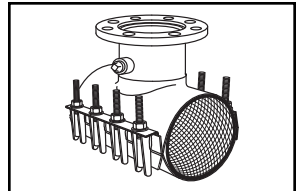
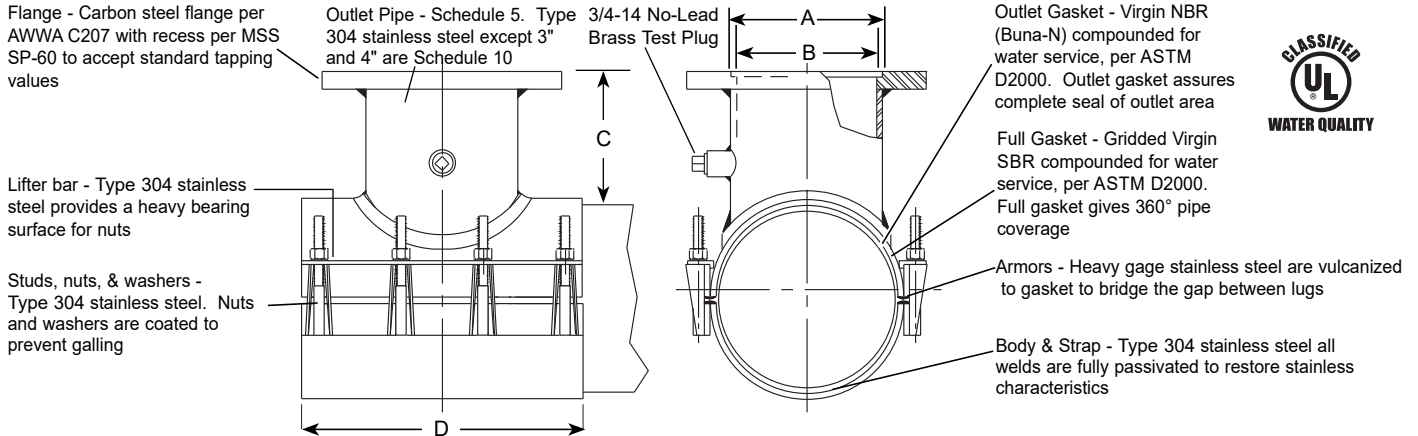


SUBMITTAL INFORMATION

Stainless Steel Tapping Sleeve - (FAST-xxx-xA style)



STAINLESS STEEL TAPPING SLEEVE WITH CARBON STEEL FLANGE



NOM. PIPE SIZE	SLEEVE O.D. RANGE	BY	SS** FLANGE SIZE	APPROX. WT.	NOMINAL DIMENSIONS - INCHES				SADDLE THICKNESS (GAGE)	STRAP THICKNESS (GAGE)	STUD SIZE	No. STUDS	CATALOG NUMBER **	✓ SUBMITTED ITEM(S)
					A	B	C	D						
3"	3.50-3.96		3	25	4-1/64	3-1/4	5-3/16	15	.075" (14)		5/8"	8	FAST-396-xA	
4"	4.50-4.80		3	25	4-1/64	3-1/4	5-3/16	15						.048" (18)
	4.80-5.10		4	36	5-1/64	4-1/4	5-3/16	15						
6"	6.60-7.00		3	25	4-1/64	3-1/4	5-3/16	15	.105" (12)	.063 (16)	5/8"	8	FAST-700-xA FAST-730-xA FAST-750-xA	
	6.90-7.30		4	39	5-1/64	4-1/4	5-3/16	15						
	7.10-7.50		6	43	7-1/64	6-13/32	5-1/2	15						
8"	8.63-9.05		3	25	4-1/64	3-1/4	5-3/16	15	.105" (12)	.048 (18)	5/8"	8	FAST-905-xA FAST-945-xA FAST-970-xA	
	9.05-9.45		4	43	5-1/64	4-1/4	5-3/16	15						
	9.30-9.70		6	47	7-1/64	6-13/32	5-1/2	15						
			8	64	9-1/64	8-13/32	5-5/8	20						
10"	10.75-11.15		3	25	4-1/64	3-1/4	5-3/16	15	.105" (12)	.048 (18)	5/8"	8	FAST-1115-xA FAST-1145-xA FAST-1215-xA	
	11.05-11.45		4	43	5-1/64	4-1/4	5-3/16	15						
	11.75-12.15		6	47	7-1/64	6-13/32	5-1/2	15						
			8	64	9-1/64	8-13/32	5-5/8	20						
12"	12.75-13.20		3	25	4-1/64	3-1/4	5-3/16	15	.105" (12)	.063 (16)	5/8"	12	FAST-1320-xA FAST-1350-xA FAST-1440-xA	
	13.10-13.50		4	43	5-1/64	4-1/4	5-3/16	15						
			6	47	7-1/64	6-13/32	5-1/2	15						
	14.00-14.40		8	64	9-1/64	8-13/32	5-5/8	20						
			10	73	11-1/64	10-31/64	6-1/8	20						
	12		107	13-1/64	12-27/64	6-1/4	24							
14"	15.30-15.70		3	25	4-1/64	3-1/4	5-3/16	15	.105" (12)	.063 (16)	5/8"	10	FAST-1570-xA FAST-1620-xA FAST-1688-xA	
	15.80-16.20		4	43	5-1/64	4-1/4	5-3/16	15						
			6	47	7-1/64	6-13/32	5-1/2	15						
	16.48-16.88		8	64	9-1/64	8-13/32	5-5/8	20						
			10	73	11-1/64	10-31/64	6-1/8	20						
	12		107	13-1/64	12-27/64	6-1/4	24							

** To order: Add flanged outlet size to catalog number. Example: The complete FAST catalog number for an 8" pipe (9.05 O.D.) with a 6" carbon steel flange is FAST-905-6A.

FEATURES

- Body, straps and UNC threaded studs are made of type 304 stainless steel. Flange is ASTM A36 carbon steel
- All sleeves are fully passivated for corrosion resistance
- Tapping sleeves rated for 250 psi working pressure on 3"-12"
- Outlet gasket is NBR (Buna-N) rubber per ASTM D2000
- UL classified to ANSI/NSF standard 61

The Ford Meter Box Company considers the information in this submittal form to be correct at the time of publication. Item and option availability, including specifications, are subject to change without notice. Please verify that your product information is current.



The Ford Meter Box Company, Inc.
 P.O. Box 443, Wabash, Indiana U.S.A. 46992-0443
 Phone: 260-563-3171 / Fax: 800-826-3487
 Overseas Fax: 260-563-0167
 www.fordmeterbox.com

08/14/17

Submitted By: