

The AMI is designed to provide an accurate method of determining the moisture content of a system's refrigerant. The AMI has a unique high accuracy moisture indicator for CFC, HCFC and HFC refrigerants. For the AMI-2 Series, see the bottom of the following page.



## Features

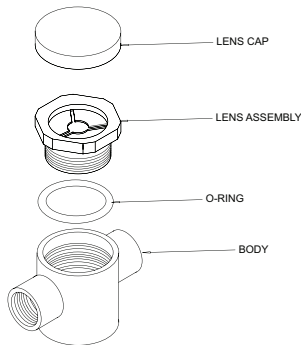
- Highest sensitivity moisture indicator available
- Take-Apart design for easy repair
- Single indicator for all common refrigerants
- Accurate color calibration at low ppm levels and higher temperatures
- Wide angle viewing/high visibility window for ease of monitoring
- Solid copper connections

## Nomenclature example: AMI 1SS4

AMI	1	SS	4
Moisture Indicator Series	Design Series 1 = standard connection 2 = bushing style	Connection Style TT = Sweat x Sweat	Connection Size (in 1/8")

## Replacement Parts For AMI

PCN	Part	Number
021371	Lenscap	12740-1
020877	"O" Ring	PS1525-2
027511	Lens Assembly Kit (Consists of lens assembly, lens cap and "O" ring)	X12978-1



## Specifications

- Maximum working pressure: 650 psig
- UL/CUL file number: SA 9566

## Ordering Information

PCN	Description	Series	Connection Size
048804	AMI-1MM3	Male Flare x Male Flare	3/8
048805	AMI-1MM4		1/2
048806	AMI-1MM5		5/8
048811	AMI-1SS2	Sweat x Sweat (OD Female)	1/4
048812	AMI-1SS3		3/8
048813	AMI-1SS4		1/2
048814	AMI-1SS5		5/8
048815	AMI-1SS7		7/8
048816	AMI-1SS9		1 1/8
047298	AMI-1TT2 EXTENDED ENDS		1/4
042771	AMI-1TT3 EXTENDED ENDS		3/8
022302	AMI-1TT4 EXTENDED ENDS		1/2
031136	AMI-1TT5 EXTENDED ENDS		5/8
031357	AMI-1TT7 EXTENDED ENDS	7/8	
031578	AMI-1TT9 EXTENDED ENDS	1 1/8	
048800	AMI-1FM2	Female Flare x Male Flare	1/4
048801	AMI-1FM3		3/8
048802	AMI-1FM4		1/2

## Moisture Content Color Code (ppm H<sub>2</sub>O)

Indication Liquid Temperature	Dry (Dark Blue)			Caution (Purple)			Wet (Salmon)		
	75°F	100°F	125°F	75°F	100°F	125°F	75°F	100°F	125°F
R-12	1.4	2.5	4	5	9	15	25	43	70
R-134A	20	35	60	35	55	85	130	160	190
R-22	25	35	50	40	65	90	145	205	290
R-407C	26	40	64	42	68	109	150	230	370
R-410A	30	55	75	50	85	120	165	290	420
R-404A/507	15	25	45	33	50	80	120	150	180

Indication Liquid Temperature	Dry (Dark Blue)				Caution (Purple)				Wet (Salmon)			
	-40°F	-4°F	32°F	68°F	-40°F	-4°F	32°F	68°F	-40°F	-4°F	32°F	68°F
R-744	3	6	11	20	5	10	19	34	16	32	63	116