

# 660 TOPAZ™ Premium Fiberglass Bathtub Wall

Three Piece · Installs Easily · Fits Most 5 ft. Bathtubs



660 TOPAZ™ wall system mounted on a TOPAZ™ bathtub.



**Outstanding features; premium, molded fiberglass construction; tremendous durability; and excellent appearance...** Mustee's 660 TOPAZ™ is everything you want in a high quality bathtub wall. Besides being the perfect complement to Mustee's premium fiberglass TOPAZ™ bathtubs, the Model 660 also fits most other bathtubs as well. If you are serious about upgrading the look of your bathtub wall, then make the Mustee 660 TOPAZ™ wall your choice.

### Features:

- Contemporary styling for standard 30" x 60" bathtub installation
- Includes a large, self-draining shelf ideal for shampoo, soap, etc.
- Produced from high grade, reinforced, molded fiberglass for optimum strength and impact resistance
- Mounts direct-to-stud with mounting flanges hidden behind drywall or other wall treatment
- Tongue-and-groove wall system assembles quickly to create a leak-resistant surround
- Extremely stable/sturdy design
- Ideal for new or remodel projects...fits most standard 5 ft. bathtubs
- Smooth, semi-gloss surface finish resists scuffs and scratching
- Mold and mildew resistant...easy to clean

### Code Accepted:

TOPAZ™ and DURAWALL® bathtub walls meet or exceed performance requirements as listed:

- American Society of Testing & Materials (ASTM)  D 635, E-84 and E-162
- American National Standards Institute (ANSI) Specification Z 124.1.2 
- Inhalation Toxicity Test – to evaluate inhalation health hazard with combustible products
- CAN/ULC S102-07 Burn and Smoke Test

## Design Features

Self-aligning side panels with interlocking tongue-and-groove seams



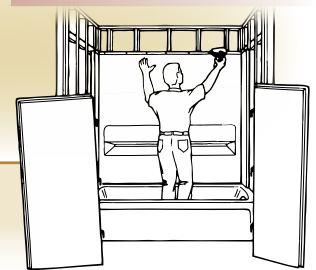
Reverse side of center panel has clips for securing to bathtub



1 1/4" flanges fasten direct-to-studwalls with screws, drywall conceals flanges



Can be installed by one person within confined area.



**1.** Fasten center panel direct-to-studwall and bathtub.

**2.** Drill holes in side panel for plumbing fixtures.

**3.** Interlock self-aligning sides with center panel, fasten direct-to-studwalls.

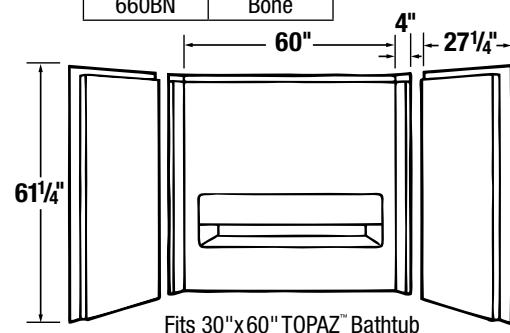
**4.** Conceal mounting flanges with drywall.

## Specifications

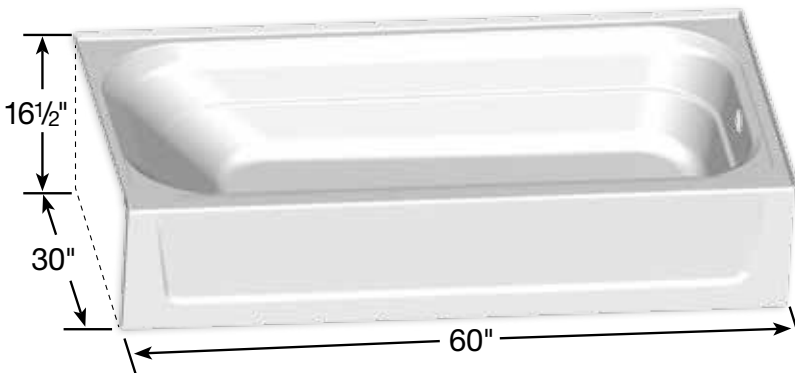
**General:** Furnish and install as shown on plans, 660 TOPAZ® bathtub walls as manufactured by E.L. Mustee & Sons, Inc. Shall be semi-gloss, three-piece wall. Panels are molded fiberglass using matched metal molds under extreme heat and pressure with a uniform thickness of 125 mils and mount direct-to-studwalls. Includes center panel with molded-in shelf and two side panels. Self-aligning panels interlock using a tongue-and-groove connection. Shall meet ANSI Specification Z-124.1.2. Color: \_\_\_\_\_ (White, Bone, Biscuit). Install in compliance with local codes.

| Model  | Color |
|--------|-------|
| 660WHT | White |
| 660BN  | Bone  |

| Model | Color   |
|-------|---------|
| 660BT | Biscuit |





# TOPAZ™ Fiberglass Bathtubs – 30" x 60"



Bottom View

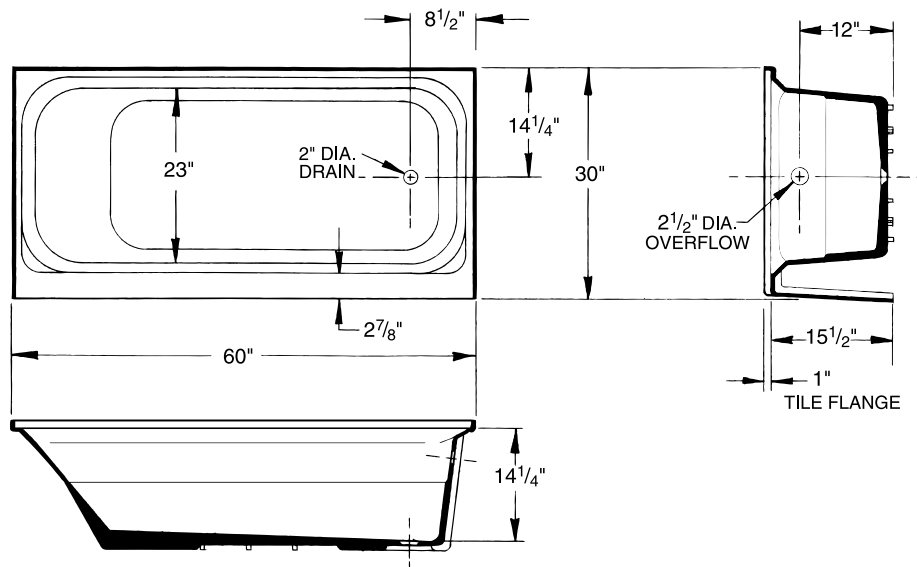
## Features:

- Precision molded from Mustee's premium Varistone® fiberglass
- Apron supported by 2 molded fiberglass brackets
- Structural ribbed bottom and sides to prevent sagging
- Ergonomically contoured back with a 40° lumbar slope
- Proprietary finish creates a deep, long lasting shine and scratch-resistant surface
- Slip-resistant bottom surface
- One piece molded, with matched metal molds
- Fits standard 30" x 60" alcove
- Available right hand & left hand with an 8 1/2" x 14 1/4" drain offset
- Suitable for use with all popular finished wall treatments
- Easy to clean
- IAPMO® Listed 
- Meets ANSI Z 124.1.2 

## Specifications

**General:** Furnish and install as shown on plans, E.L. Mustee & Sons, Inc. TOPAZ™ Fiberglass Bathtub 30" x 60" right or left-handed Model \_\_\_\_\_. Construction shall be molded, reinforced fiberglass using matched metal molds under extreme heat and pressure. Shall meet ANSI Specification Z124.1.2. Color \_\_\_\_ White, Bone, Biscuit.

| Model    | Color   | Description                         |
|----------|---------|-------------------------------------|
| T6030L   | White   | 30" x 60" Bathtub, Left hand drain  |
| T6030LBN | Bone    | 30" x 60" Bathtub, Left hand drain  |
| T6030LBT | Biscuit | 30" x 60" Bathtub, Left hand drain  |
| T6030R   | White   | 30" x 60" Bathtub, Right hand drain |
| T6030RBN | Bone    | 30" x 60" Bathtub, Right hand drain |
| T6030RBT | Biscuit | 30" x 60" Bathtub, Right hand drain |



To reorder, specify ADV-491

**Notice:** Our continuous commitment to product improvement may result in changes to product specifications without notice. Patented and patents pending. ADI/10-12/NM. Made and Printed in U.S.A.