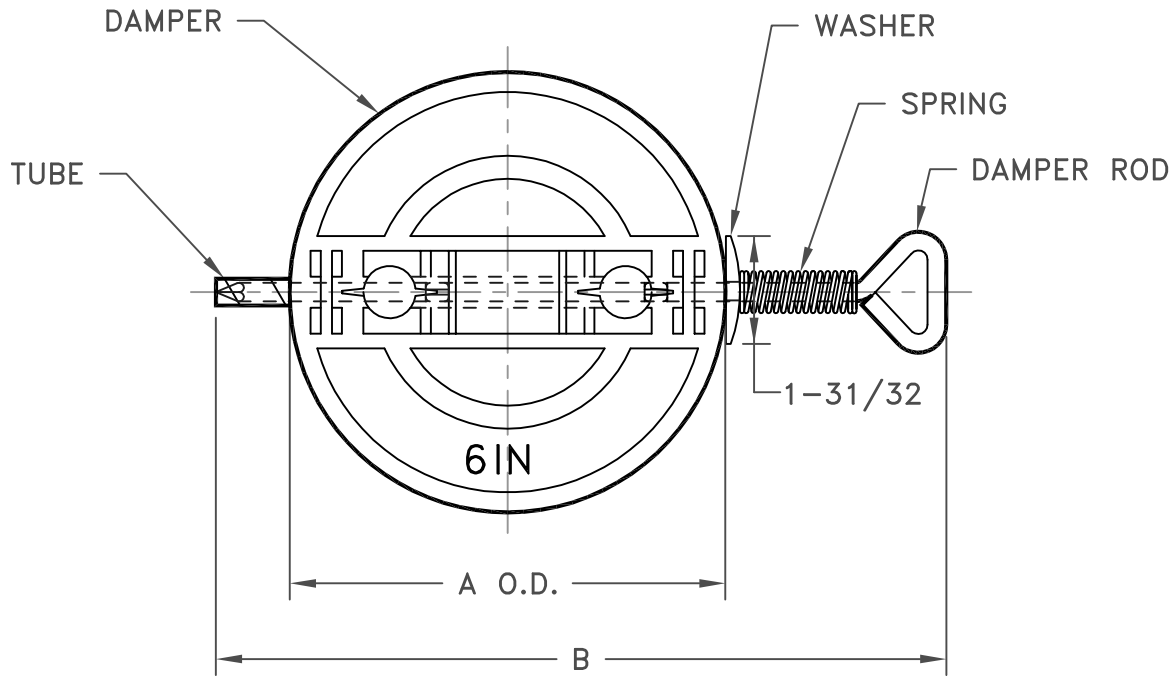


- DAMPER ROD MAY BE INSERTED FROM EITHER SIDE
- SPRING HOLDS DAMPER IN PLACE



SIZE	A O.D.	B
6	5-3/4	9-9/16
7	6-3/4	10-9/16
8	7-3/4	11-9/16

JOB NAME: _____
 LOCATION: _____
 ARCHITECT: _____
 ENGINEER: _____
 CONTRACTOR: _____

SUBMITTED BY: _____

DATE: 07/31/2014 AM-WAD

W.A.D.
 Steel
 Warm Air Damper