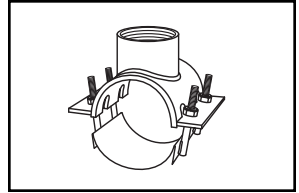
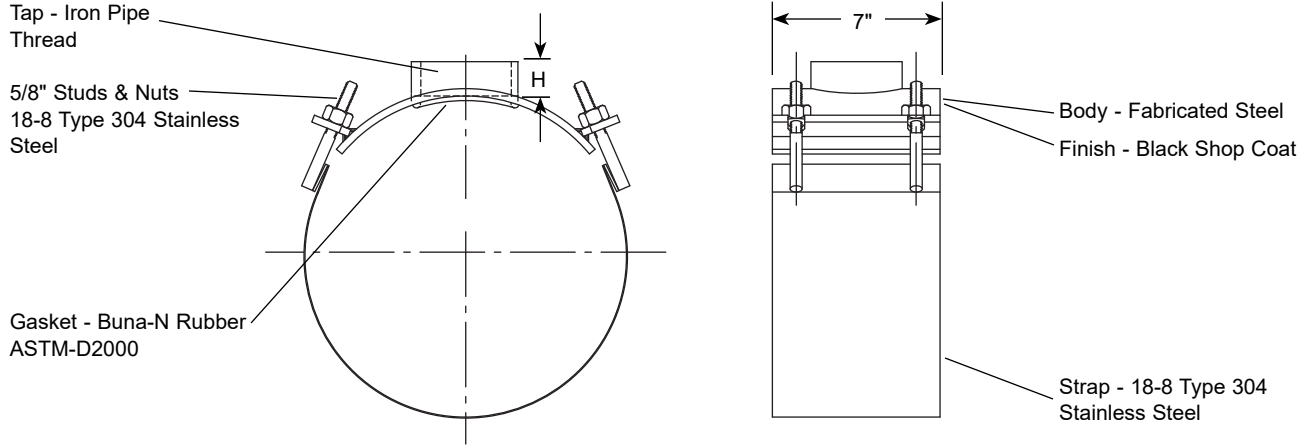


SUBMITTAL INFORMATION

Fabricated Steel Saddle- (FS202-xxxx-Tap style)



6" - 12" FABRICATED STEEL SADDLE WITH STAINLESS STEEL BAND (3" & 4" TAPS)



NOM. PIPE SIZE	ACTUAL PIPE O.D.	TAP SIZE (INCHES)	BOSS HEIGHT H	APPROX. WT. LBS.	CATALOG NUMBER	✓ SUBMITTED ITEM(S)
6"	6.00	3	3-1/16"	15.7	FS202-600-IP9	
	6.00	4	3-5/16"	16.1	FS202-600-IP11	
	6.63	3	3-1/16"	16.0	FS202-663-IP9	
	6.63	4	3-5/16"	16.3	FS202-663-IP11	
	6.90	3	3-1/16"	16.4	FS202-690-IP9	
	6.90	4	3-5/16"	16.7	FS202-690-IP11	
8"	8.00	3	3-1/16"	16.6	FS202-800-IP9	
	8.40	4	3-5/16"	17.0	FS202-800-IP11	
	8.63	3	3-1/16"	16.9	FS202-863-IP9	
	8.63	4	3-5/16"	17.3	FS202-863-IP11	
	9.05	3	3-1/16"	17.2	FS202-905-IP9	
	9.05	4	3-5/16"	17.5	FS202-905-IP11	
10"	10.00	3	3-1/16"	18.0	FS202-1000-IP9	
	10.00	4	3-5/16"	19.1	FS202-1000-IP11	
	10.75	3	3-1/16"	18.4	FS202-1075-IP9	
	10.75	4	3-5/16"	19.5	FS202-1075-IP11	
	11.10	3	3-1/16"	18.8	FS202-1110-IP9	
	11.10	4	3-5/16"	19.7	FS202-1110-IP11	
12"	12.00	3	3-1/16"	20.0	FS202-1200-IP9	
	12.00	4	3-5/16"	21.0	FS202-1200-IP11	
	12.75	3	3-1/16"	20.5	FS202-1275-IP9	
	12.75	4	3-5/16"	21.1	FS202-1275-IP11	
	13.20	3	3-1/16"	20.8	FS202-1320-IP9	
	13.20	4	3-5/16"	22.1	FS202-1320-IP11	

OUTLET TAP CODE		
IP THREAD		
THREAD	CODE NUMBER	✓ SUBMITTED ITEM(S)
3" IP	IP9	
4" IP	IP11	

FEATURES

- 150 psi working pressure (225 psi test pressure), dependent upon industry standard support and backfill practices
- Boss tapped with iron pipe threads

The Ford Meter Box Company considers the information in this submittal form to be correct at the time of publication. Item and option availability, including specifications, are subject to change without notice. Please verify that your product information is current.



The Ford Meter Box Company, Inc.

P.O. Box 443, Wabash, Indiana U.S.A. 46992-0443

Phone: 260-563-3171 / Fax: 800-826-3487

Overseas Fax: 260-563-0167

www.fordmeterbox.com

06/27/17

Submitted By: