

# SPECIFICATIONS

## MID-TOWN™ TWO HANDLE WIDESPREAD LAVATORY FAUCET

### Model

D304162

### Description

- Ceramic disc cartridges
- Metal lever handles
- 3 5/8" high spout, 5 1/8" spout length
- 3 hole mount, 6" - 12" installation
- Metal touch down drain assembly
- 1.2gpm (4.5L/min) maximum flow rate @60 psi
- Meets CEC Requirement

### Standards



NSF/ANSI 372

- NSF/ANSI 372

MEETS ASME A112.18.1M/A112.18.1

- ASME A112.18.1M/A112.18.1



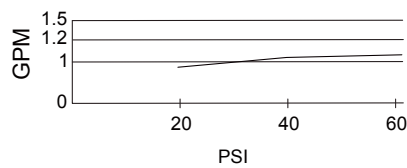
- ADA Accessibility Guidelines for Buildings and Facilities - 309.4 Operation for Operable Parts

- WaterSense Pending

### Warranty

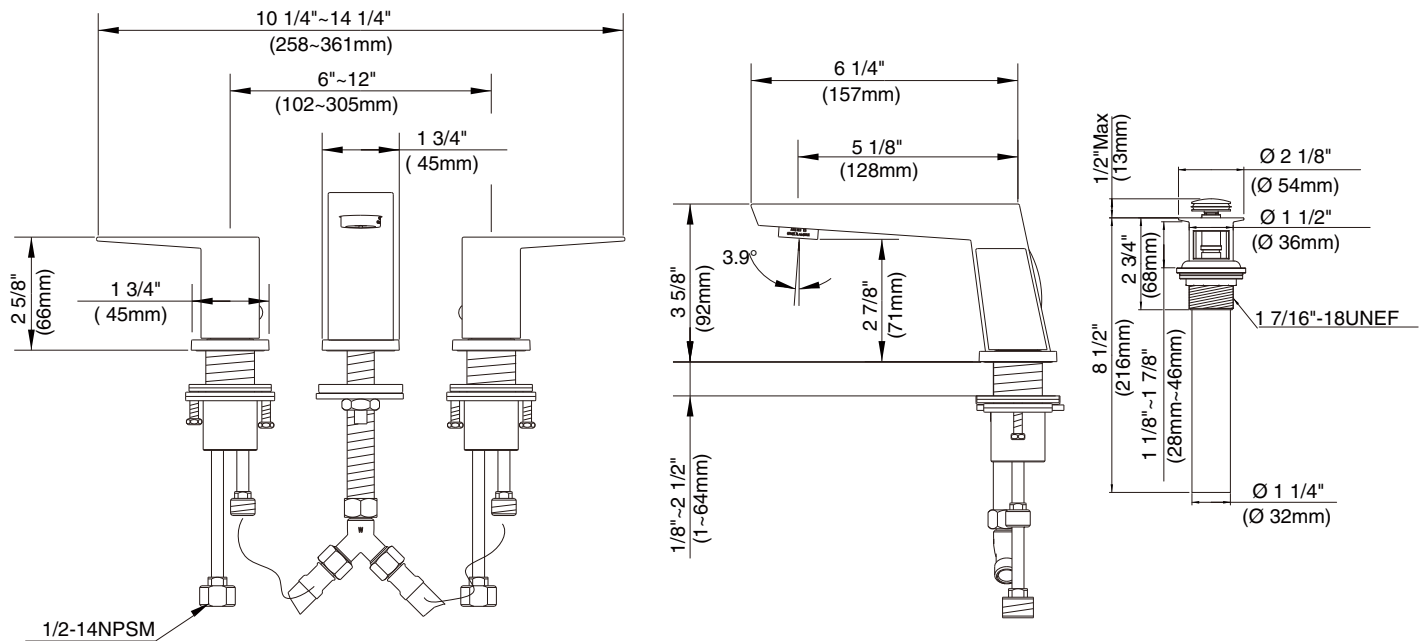
Danze products are covered by a manufacturer s limited "lifetime" warranty for manufacturing defects.

### Flow Rate



### Finishes Available

- Chrome
- Other: Refer to Price List for additional finish



### Submittal Information:

Job Name: \_\_\_\_\_

Location: \_\_\_\_\_

Contractor: \_\_\_\_\_

Contact #: \_\_\_\_\_