


SPECIFICATIONS

Features/Benefits

- 1.2 gpm (4.5 L/min) Maximum Flow Rate @60 psi
- Laminar Flow
- Ceramic Disc Cartridge
- Includes Metal Pop-Up Drain Assembly
- 5 5/8" Spout Height, 5 3/8" Spout Length
- 3-Hole Mount, 4"-12" Installation

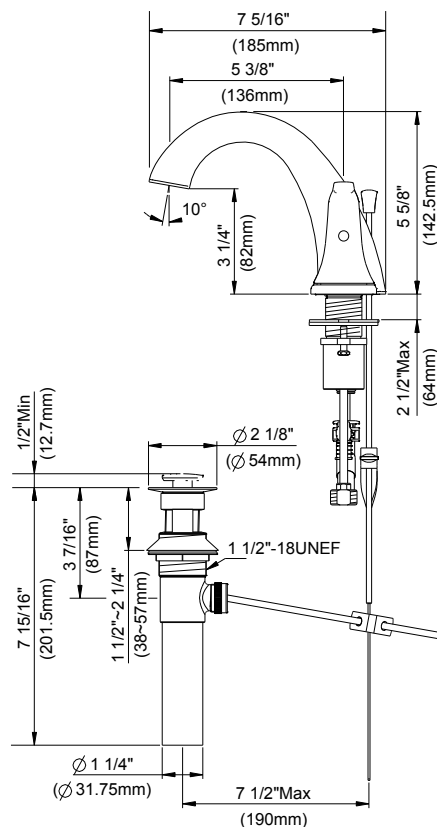
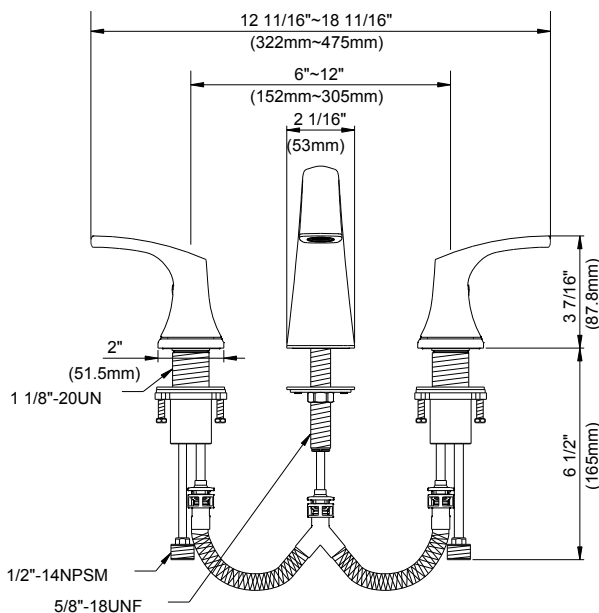


Available Color/Finishes

| Color | Description |
|-----------------------------------------------------------------------------------|-------------|
|  | Chrome |

Please see danze.com or current price list for available finishes.
Finish is defined by additional suffix.

Standards & Certifications



Submittal Information:

Name: _____
Location: _____

Contractor: _____
Contact #: _____