



Joval
MFG. CO., INC.
 Ph. 504-835-7247
 Fax 504-835-6586
 www.joval.com

DUCT BOARD COLLAR W/ DAMPER

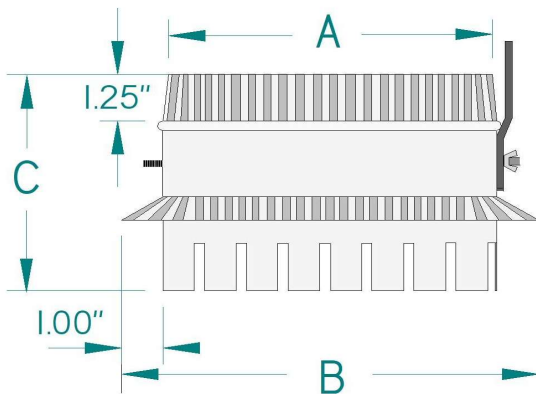
D3900 SERIES

PART #	DIA.	GA.	A	B	C
D3904	4"	30	3.75"	6"	6"
D3905	5"	30	4.75"	7"	6"
D3906	6"	30	5.75"	8"	6"
D3907	7"	30	6.75"	9"	6"
D3908	8"	30	7.75"	10"	6"
D3909	9"	30	8.75"	11"	6"
D3910	10"	30	9.75"	12"	6"
D3912	12"	30	11.75"	14"	6"
D3914	14"	30	13.75"	16"	6"
D3916	16"	30	15.75"	18"	6"
D3918	18"	30	17.75"	20"	6"
D3920	20"	30	19.75"	22"	6"

NOTES:

R8 Insulation

SIDE VIEW



TOP VIEW
CLOSED

