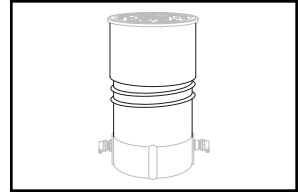
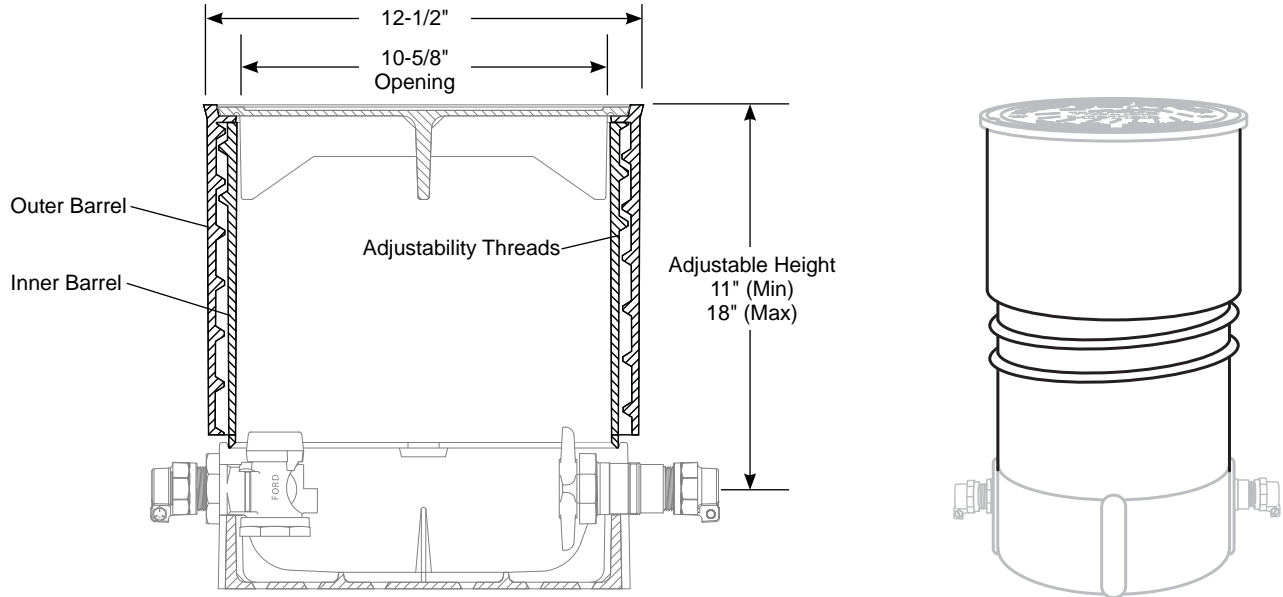


SUBMITTAL INFORMATION

Adjustable Crescent Box Housing - (CBBA style)



INNER AND OUTER BARRELS FOR CRESCENT BOXES 5/8" THROUGH 1" METER SIZE



METER SIZE	APPROX. WT. LBS.	CATALOG NUMBER	✓ SUBMITTED ITEM(S)
5/8" - 1"	45.0	CBBA	

FEATURES

- Inner / outer barrels are cast iron per ASTM A48, Class 25
- Finish is black e-coating
- Lid, base inlet / outlet or complete assemblies sold separately
- Can be adjusted at any time after installation to a new grade or sidewalk level
- Minimum elevation of lid above center of service line is 11" for 5/8" & 5/8"x3/4" meters, 14" for 3/4" meters and 15-1/2" for 1" meters

The Ford Meter Box Company considers the information in this submittal form to be correct at the time of publication. Item and option availability, including specifications, are subject to change without notice. Please verify that your product information is current.



The Ford Meter Box Company, Inc.

P.O. Box 443, Wabash, Indiana U.S.A. 46992-0443

Phone: 260-563-3171 / Fax: 800-826-3487

Overseas Fax: 260-563-0167

<http://www.fordmeterbox.com>

10/28/11

Submitted By: