



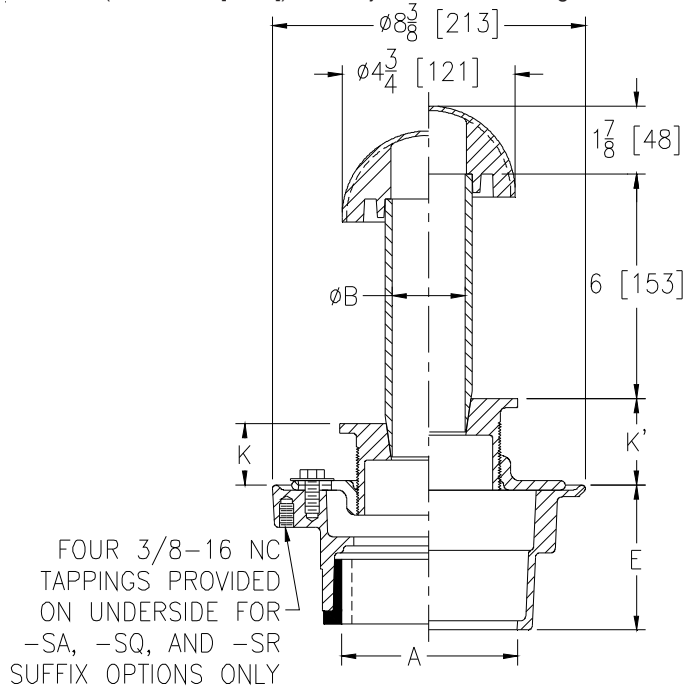
Z415P

BODY ASSEMBLY W/ "TYPE P" STRAINER

SPECIFICATION SHEET

TAG _____

Dimensional Data (inches and [mm]) are Subject to Manufacturing Tolerances and Change Without Notice



Dimensions In Inches						Approx. Wt. Lbs. [kg]	Strainer Open Area Sq. In. [cm ²]
A - Pipe Size	B - Dia.	K		K'			
		Min.	Max.	Min.	Max.		
2-3-4 [51-76-102]	2 [51]	7/8 [22]	2-1/8 [54]	1-1/4 [32]	2-7/8 [73]	15 [7]	3 [19]
2-3-4 [51-76-102]	3 [76]	7/8 [22]	2-1/8 [54]	1-1/4 [32]	2-7/8 [73]	17 [8]	7 [45]

ENGINEERING SPECIFICATION: ZURNZN415P

Floor and shower drain, Dura-Coated cast iron body with bottom outlet, combination invertible membrane clamp and adjustable collar with seepage slots and "TYPE P" polished, nickel bronze standpipe and dome.

OPTIONS (Check/specify appropriate options)

PIPE SIZE

- 2 thru 4 [51 thru 102]
- 2 thru 4 [51 thru 102]
- 2 [51]
- 3 [76]
- 4 [102]
- 2 thru 4 [51 thru 102]
- 2 thru 4 [51 thru 102]

(Specify size/type) **OUTLET**

- _____ IC Inside Caulk
- _____ IG Inside Gasket
- _____ IP Threaded
- _____ IP Threaded
- _____ IP Threaded
- _____ NH No-Hub
- _____ NL Neo-Loc

'E' BODY HT. DIM.

- 3-7/8 [98]
- 3-7/8 [98]
- 2-3/8 [60]
- 2-5/8 [67]
- 2-7/8 [73]
- 3-7/8 [98]
- 3-3/4 [95]

PREFIXES

- _____ ZB D.C.C.I. Body Assembly w/ Polished Bronze Top
- _____ ZN D.C.C.I. Body Assembly w/ Polished Nickel Bronze Top*

SUFFIXES

- | | |
|--|---|
| <ul style="list-style-type: none"> _____ -AR Acid Resisting Epoxy Coated Cast Iron _____ -G Galvanized Cast Iron _____ -LD (Less) Dome _____ -P Trap Primer Connection (Specify 1/2 [13] or 3/4 [19]) _____ -PS Perforated Standpipe _____ -SA Stabilizer Assembly (See Z1035) _____ -SD Longer Standpipe (Specify Height Required) _____ -SQ Stabilizer Q-Deck (See Z1035-Q) _____ -SR Stabilizer Ring | <ul style="list-style-type: none"> _____ -SS Stainless Steel Mesh Screen Over Dome and Standpipe _____ -U 1 - 3 [25 - 76] High Extension Adapter _____ -18 Leveling Ring (See Z400-18) _____ -90 90° Threaded Side Outlet Body Assembly (2 [51], 3 [76] Only) |
|--|---|

REV. K	DATE: 06/21/11	C.N. NO. 121454
DWG. NO. 58802	PRODUCT NO. Z415P	

*REGULARLY FURNISHED UNLESS OTHERWISE SPECIFIED