



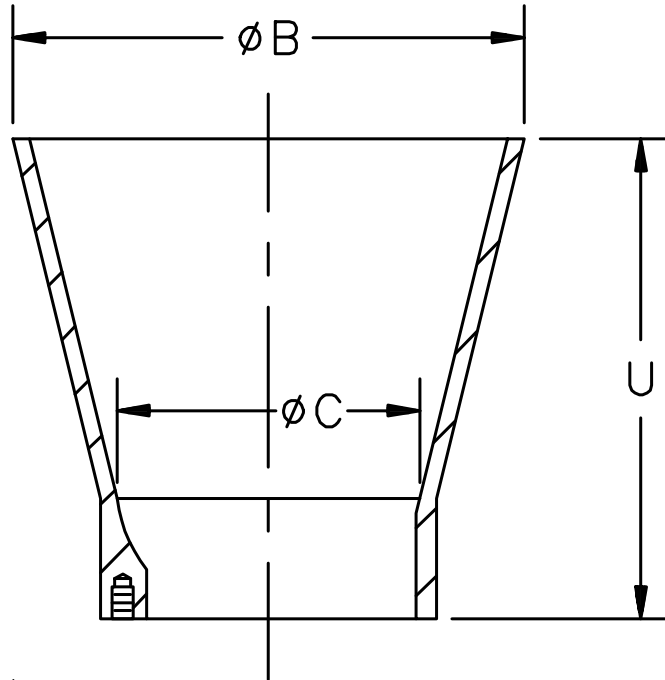
Z328

FUNNEL CONVERTING ASSEMBLY

SPECIFICATION SHEET

TAG _____

Dimensional Data (inches and [mm]) are Subject to Manufacturing Tolerances and Change Without Notice



Engineering Specification: ZURN Z328
 4 [102] or 6 [152] (specify) Diameter Funnel Converting Assembly, Dura-Coated cast iron (or finish to suit drain top), with necessary fasteners to secure funnel to strainer.

Product Designation	Dimensions In Inches			Approx. Wt. Lbs. [kg]
	B	C	U	
-4	4 [102]	2-1/4 [57]	3-3/4 [95]	2 [1]
-6	6 [152]	2-7/8 [73]	6 [152]	5 [2]

Options (Check/specify appropriate options)

Prefixes

- ___ Z D.C.C.I Funnel*
- ___ ZB Polished Bronze Funnel
- ___ ZN Polished Nickel Bronze Funnel

Suffixes

- ___ -AR Acid Resisting Epoxy Coated Cast Iron
- ___ -G Galvanized Cast Iron

* Regularly furnished unless otherwise specified.