



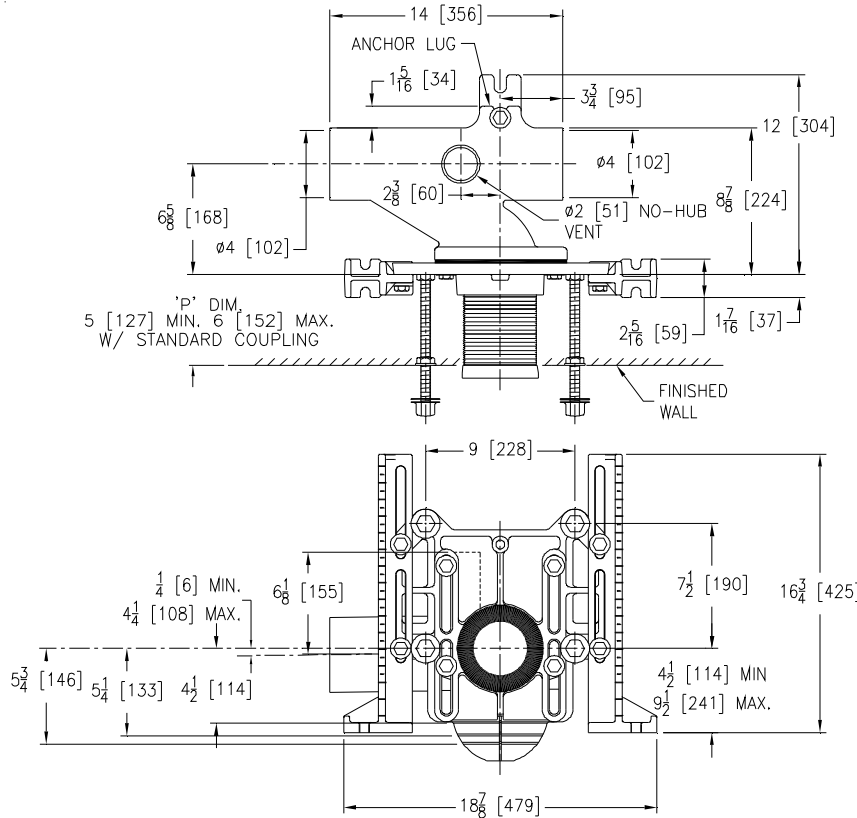
# Z1203-N

## ADJUSTABLE HORIZONTAL SIPHON JET NO-HUB

SPECIFICATION SHEET

TAG \_\_\_\_\_

Dimensional Data (inches and [ mm ]) are Subject to Manufacturing Tolerances and Change Without Notice



Product Number	Approx. Wt. Lbs. [kg]
Z1203-NL4	67 [30]
Z1203-NR4	

**Note:**

1. Min. 'P' Dim. Obtainable=2 [51]
2. Feet bolted to floor using min. 1/2 [13] dia. bolts and back slots on carrier feet.
3. Back anchor foot required for secure installation.

**ENGINEERING SPECIFICATION:** ZURN Z1203-N( ) Adjustable, horizontal siphon jet water closet "Rigid System" with 4 [102] No-Hub connections. Complete with Dura-Coated cast iron right hand, left hand, or double main fitting, with 2 [51] vent, adjustable gasketed faceplate, universal floor mounted foot supports, corrosion resistant adjustable ABS coupling with integral test cap, fixture bolts, trim, and stud protectors. Rear anchor tie down and bonded "Neo-Seal" gasket.

**OPTIONS** (Check/specify appropriate options)

- Z1203-NR4    4 [102] No-Hub Right Hand Inlet with Flow to Left  
 Z1203-NL4    4 [102] No-Hub Left Hand Inlet with Flow to Right

**PREFIXES**

- \_\_\_ Z    D.C.C.I. System with Zurn "ZZ" Adjustable Coupling\*  
 \_\_\_ ZC    D.C.C.I. System with Compression Fit Faceplate  
 \_\_\_ ZF    D.C.C.I. System with Non-Adjustable One Piece Carrier  
 \_\_\_ ZQ    D.C.C.I. System with NPT Faceplate, Non-Adjustable Coupling

**SUFFIXES**

- |   |   |
|---|---|
| <p>___ -A    Auxiliary Support Assembly<br/>           (For 'P' Dim. Greater than 18 [457])</p> <p>___ -B    Blowout Type Fixture Support</p> <p>___ -BC    Back Cleanout</p> <p>___ -BE    Barrel Extender (Up to 26 [660], Overall length of 40 [1016])</p> <p>___ -CC    Corrosion Resistant Cast Iron Coupling<br/>           (6 [151] to 12 [305])</p> <p>___ -CL    Coupling Length Greater Than 12 [305]<br/>           (Specified Length Required)</p> <p>___ -CV    Closed Vent (Use only when local codes allow)</p> <p>___ -F    Floor Mounted, Back Outlet Fixture Support</p> <p>___ -G    Galvanized Cast Iron</p> <p>___ -JC    2-Inch Auxiliary Inlet with Sanitary Sweep on<br/>           Faceplate Centerline</p> <p>___ -M    Auxiliary Foot Support (for 'P' Dim. 10 [254] - 18 [457])</p> | <p>___ -PF    Pre-Fab Foot</p> <p>___ -PS    Pre-Fab Slotted Foot</p> <p>___ -RYK    Unistrut Pre-Fab Foot</p> <p>___ -T    Threaded Connection</p> <p>___ -VP    Vandal-Proof Trim</p> <p>___ -X3    3 [76] Carrier Foot Extension Assembly</p> <p>___ -X4    4 [102] Carrier Foot Extension Assembly</p> <p>___ -29    Mechanical Test Cap Assembly</p> <p>___ -45    Finishing Frame for Siphon Jet System<br/>           (for Blowout System specify -45-B)</p> <p>___ -50    Flush Valve Supply Support for Water Closets</p> <p>___ -61    "ZZ" Coupling Wrench</p> |
|---|---|

\*REGULARLY FURNISHED UNLESS OTHERWISE SPECIFIED

**REV. J    DATE: 2/10/11    C.N. NO. 120628**

**DWG. NO. 59268    PRODUCT NO. Z1203-N**

ZURN INDUSTRIES, LLC. ♦ SPECIFICATION DRAINAGE OPERATION ♦ 1801 Pittsburgh Ave. ♦ Erie, PA 16514

Phone: 814/455-0921 ♦ Fax: 814/454-7929 ♦ World Wide Web: www.zurn.com

In Canada: ZURN INDUSTRIES LIMITED ♦ 3544 Nashua Drive ♦ Mississauga, Ontario L4V1L2 ♦ Phone: 905/405-8272 Fax: 905/405-1292