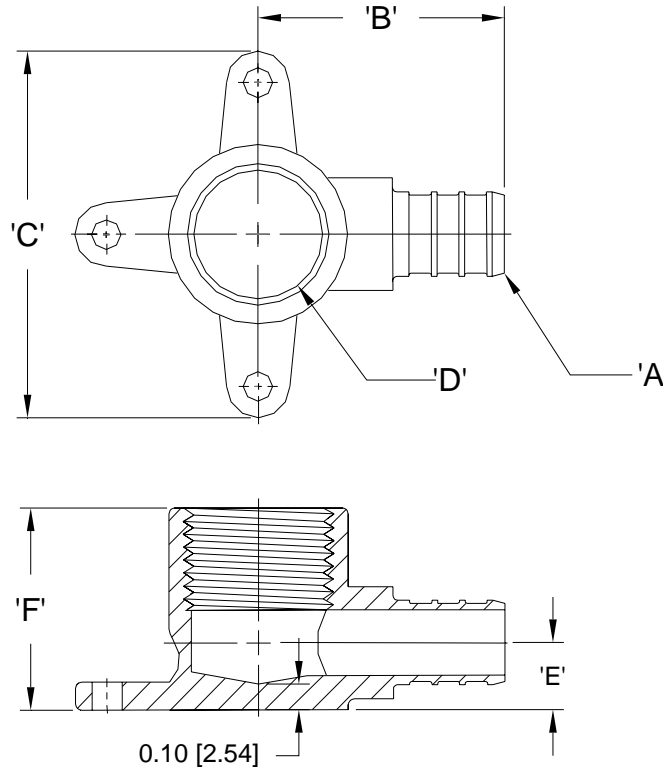




Zurn PEX® XL-Low Lead Brass Drop Ear Elbow - QQDE__BFGX Specification Sheet

Tag _____

Dimensional Data: Inches and [mm] are subject to manufacturing tolerances and change without notice.



Part Number	Description	'A'	'B'	'C'	'D'	'E'	'F'
QQDE33BFGX	1/2" Barb X 1/2" FPT Drop Ear Elbow	1/2" Barb	1.38" [35.1]	2.05" [52.1]	1/2"-14 NPT	0.38" [9.5]	1.13" [28.7]
QQDE44BFGX	3/4" Barb X 3/4" FPT Drop Ear Elbow	3/4" Barb	1.49" [37.9]	2.04" [51.9]	3/4"-14 NPT	0.50" [12.7]	1.34" [34.0]

Engineering Specification: Zurn PEX® XL- Low Lead Drop Ear Elbow. The QQDE_BFGX is used to connect PEX to FPT drop ear elbow. Manufactured from EcoBrass®, C69300. These fittings, as a system with Zurn PEX® tube, are pressure rated at 160 PSI at 73°F, 100 PSI at 180°F, and 80 PSI at 200°F. These fittings are listed by NSF as complying with the following standards: NSF/ANSI Standard 14, NSF/ANSI Standard 61 including Annex G, ASTM F877, CSA B137.5, and ASTM F1807.

Accessories

- ___ QCLP3X 1/2" QuickClamp® Crimp Ring
- ___ QCLP4X 3/4" QuickClamp® Crimp Ring
- ___ QCR3X 1/2" Copper Crimp Ring
- ___ QCR4X 3/4" Copper Crimp Ring
- ___ QSOET3X 1/2" Stainless Steel Crimp Ring
- ___ QSOET4X 3/4" Stainless Steel Crimp Ring

Rev. A Date: 2/22/10 C.N. No. 110745
Dwg. No. 84399 Prod. No. QQDE_BFGX