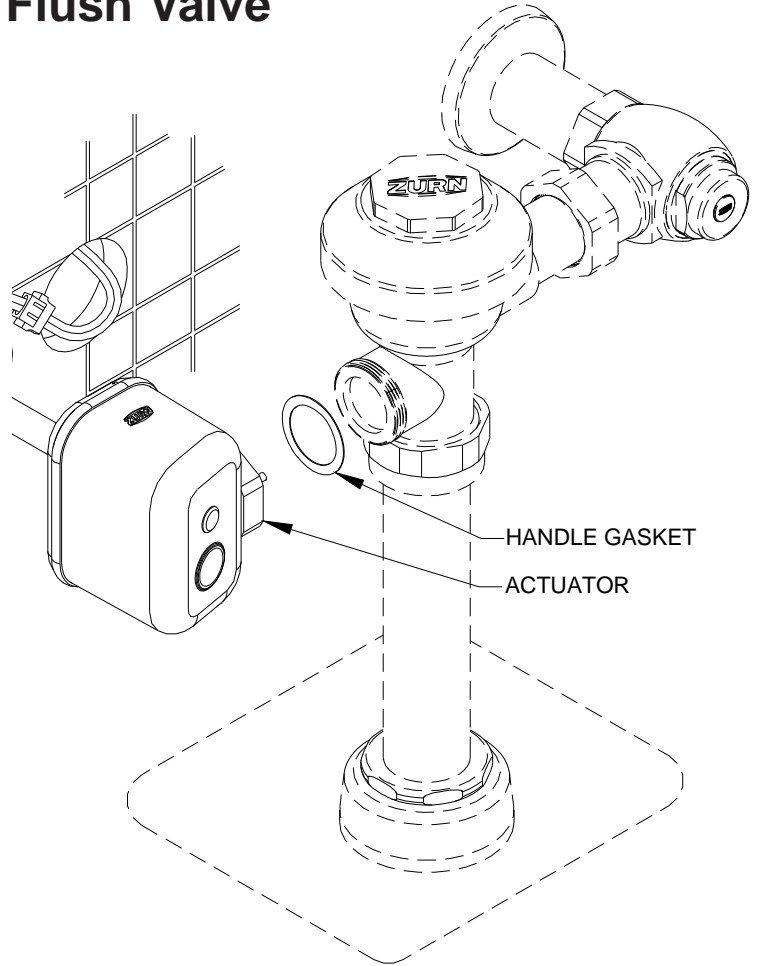




# PEMS6000-HYM-IS

## Hardwired Automatic Sensor Actuator for For Flush Valve



**Accessories (Order separate as specified)**

- P6000-PC6** Plug-in Power Converter  
(Up to 8 valves)
- P6000-MJ** Mini Junction Box
- P6000-HW6** Hardwire Power Converter  
(Up to 8 valves)

**ENGINEERING SPECIFICATION: ZURN PEMS6000-HYM-IS AquaSense 'AV' Exposed Hardwired Automatic Sensor for Flush Valves-** The unit incorporates a motorized actuator, an integral infrared convergence-type proximity sensor and a manual push-button override into an all-metal, polished chrome plated housing. Sensor range automatically adjusts to its environment at power up and is powered by a 7.6 VDC power converter. Order power converter separate. Each power converter can accommodate up to eight flush valves.

This space is for Architectural/engineering Approval

The information contained in this document is subject to change without notice.  
Please contact Zurn for most up to date information.

ZURN INDUSTRIES, LLC. ♦ COMMERCIAL BRASS OPERATION ♦ 5900 ELWIN BUCHANAN DRIVE ♦ SANFORD NC 27330

Phone: 1-800-997-3876 ♦ Fax: 919-775-3541 ♦ World Wide Web: www.zurn.com

In Canada: ZURN INDUSTRIES LIMITED ♦ 3544 Nashua Drive ♦ Mississauga, Ontario L4V1L2 ♦ Phone: 905-405-8272 Fax: 905-405-1292