

quality . service
innovation . integrity

280 Series



ZOELLER GREEN
®
"The color green is a registered trademark of Zoeller Pump Co."



Features

This series of submersible pumps is designed for use in residential or light commercial dewatering and wastewater applications and can be used to transfer effluent or unscreened raw sewage. The innovative vortex impeller design reduces the risk of clogging and allows each pump to pass 2" (50 mm) spherical solids. These durable cast iron pumps include a powder coated epoxy finish to prevent corrosion and are designed to provide great heat dissipation from the motor, ensuring a long service life. As with every Zoeller® pump, each one is 100% pressure-tested, submerged and run to ensure quality and reliability for years of trouble-free performance!

- Automatic models include a float-operated, 2-pole mechanical switch, a stainless steel float guard and switch arm, and a buoyant polystyrene float.
- For nonautomatic pumps, variable level control systems and containers of various sizes are available for longer cycles.
- Double seal models are available to improve bearing lubrication and prevent leaks and damage to seals or bearings during dry run conditions.
- Includes a stainless steel handle for easy installation and removal.
- All models are hermetically sealed to be watertight, dust-tight, and completely submersible.

Reserve Powered Design: For unusual conditions, a reserve safety factor is engineered into the design of every pump.

Specifications

Motor Characteristics

Motor	1/2 or 1 HP
Voltage	115 - 575 V
Phase	1 or 3 Ph
Hertz	60 Hz
RPM	1725 RPM
Type	Permanent split capacitor or 3 Ph
Insulation	Class B
Amps	1.4 - 10.3 Amps

Pump Characteristics

Operation	Automatic or nonautomatic
Auto On/ Off Points	16-1/2" / 5-1/4" (41.9 cm / 13.3 cm)
Discharge Size	2" or 3" NPT female, flanged vertical
Solids Handling	2" (50 mm) spherical solids
Cord Length	10' (3 m) auto, 15' (5 m) nonauto standard
Cord Type	UL listed, 3-wire neoprene cord and plug
Max Head	35' (10.7 m)
Max Flow Rate	179 GPM (678 LPM)
Max Operating Temp	130 °F (54 °C)
Cooling	Oil filled
Motor Protection	Auto reset thermal overload (1 Ph)

Materials Characteristics

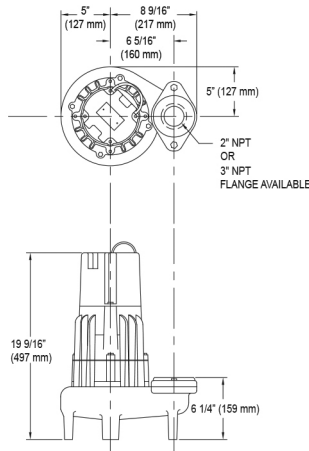
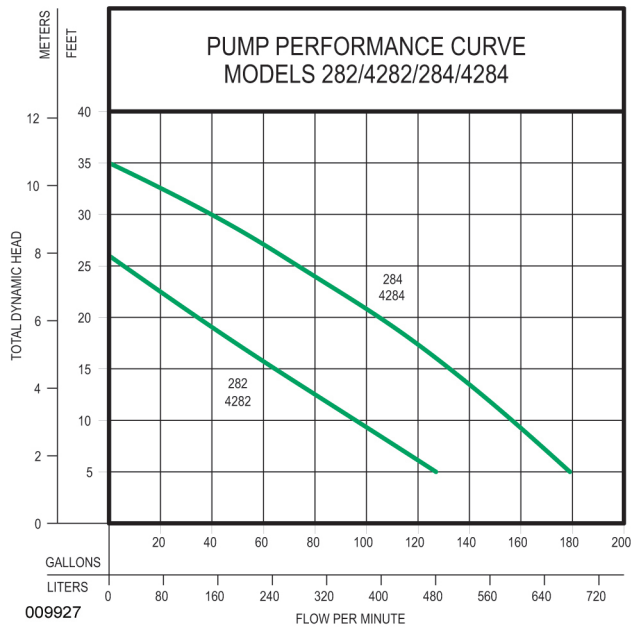
Cap	Cast iron
Motor Housing	Cast iron
Pump Housing	Cast iron
Base	Cast iron
Upper Bearing	Ball bearing
Lower Bearing	Ball bearing
Mechanical Seals	Carbon and ceramic
Impeller Type	Non-clogging vortex
Impeller	Cast iron
Hardware	Stainless steel
Motor Shaft	1117 carbon steel or 416 stainless steel*
Gasket	Neoprene



PUMP COMPANY

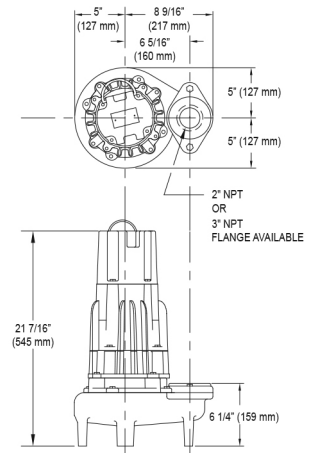
Zoeller Family of Water Solutions™

280 Series



Single Seal

SK1023/SK1414



Double Seal

Model

Model Number	Seal	Mode	Volts	Phase	Amps	HP	Hz	Lbs	Kg
M282	Single	Auto	115	1	10.3	1/2	60	82	37
N282/N4282	Single / Dbl	Non	115	1	10.3	1/2	60	82 / 88	37 / 40
D282	Single	Auto	230	1	5.0	1/2	60	82	37
E282/E4282	Single / Dbl	Non	230	1	5.0	1/2	60	82 / 88	37 / 40
BN282	Single	Auto	115	1	10.3	1/2	60	83	38
H282	Single	Auto	200	1	6.1	1/2	60	82	37
I282/I4282	Single / Dbl	Non	200	1	6.1	1/2	60	82 / 88	37 / 40
J282/J4282	Single / Dbl	Non	200	3	3.6	1/2	60	82 / 88	37 / 40
F282/F4282	Single / Dbl	Non	230	3	3.0	1/2	60	82 / 88	37 / 40
CF282	Single	Auto	230	3	3.0	1/2	60	82	37
G282/G4282	Single / Dbl	Non	460	3	1.7	1/2	60	82 / 88	37 / 40
BA282/BA4282	Single / Dbl	Non	575	3	1.4	1/2	60	82 / 88	37 / 40
BE282	Single	Auto	230	1	5.0	1/2	60	83	38
D284	Single	Auto	230	1	8.9	1	60	85	39
E284/E4284	Single / Dbl	Non	230	1	8.9	1	60	85 / 91	39 / 41
H284	Single	Auto	200	1	9.3	1	60	85	39
I284/I4284	Single / Dbl	Non	200	1	9.3	1	60	85 / 91	39 / 41
J284/J4284	Single / Dbl	Non	200	3	5.5	1	60	85 / 91	39 / 41
F284/F4284	Single / Dbl	Non	230	3	5.0	1	60	85 / 91	39 / 41
CF284	Single	Auto	230	3	5.0	1	60	85	39
G284/G4284	Single / Dbl	Non	460	3	2.6	1	60	85 / 91	39 / 41
BA284/BA4284	Single / Dbl	Non	575	3	2.2	1	60	85 / 91	39 / 41
BE284	Single	Auto	230	1	8.9	1	60	85	39

*Single seal models are built with a carbon steel motor shaft, and double seal models are built with a stainless steel motor shaft. Additional cord lengths are available in 15' (5 m), 35' (11 m) and 50' (15 m).

Your Peace of Mind is Our Top Priority®
3649 Cane Run Rd | Louisville, KY 40211 USA

+1 502-778-2731 | 1-800-928-7867 | Fax: +1 502-774-3624

www.zoeller.com