



30" (76.2 cm) and 36" (91.4 cm) Wall-Mount Canopy Range Hood

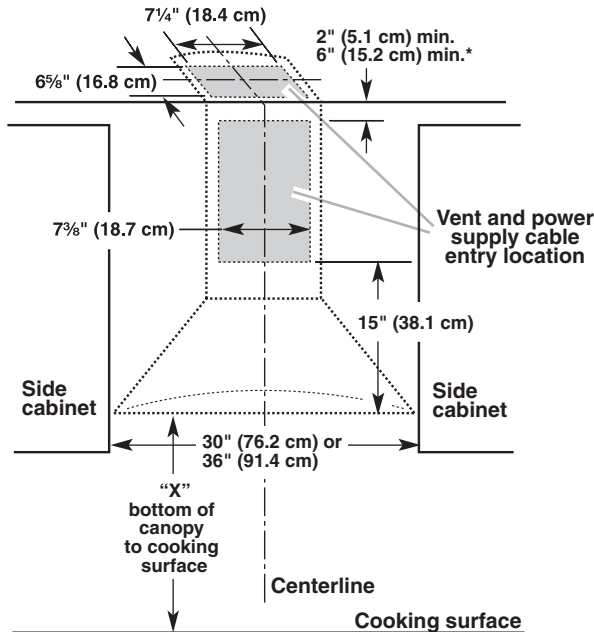
PRODUCT MODEL NUMBERS

WWW53UC0F WWW53UC6F

ELECTRICAL REQUIREMENTS

A 120-volt, 60-Hz., AC-only, 15-amp, fused electrical circuit is required.

CABINET DIMENSIONS



* For non-vented (recirculating) installations

IMPORTANT:

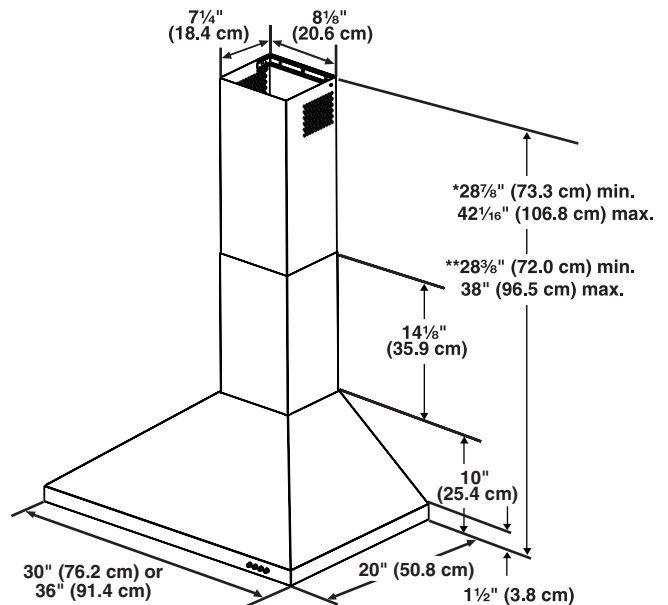
- Minimum distance "X": 24" (61 cm) from electric cooking surface
- Minimum distance "X": 27" (68.6 cm) from gas cooking surface
- Suggested maximum distance "X": 36" (91.4 cm)

The chimneys can be adjusted for different ceiling heights. See the following chart.

Vented Installations		
	Min. ceiling height	Max. ceiling height
Electric cooking surface	7' 5" (2.26 m)	9' 2" (2.79 m)
Gas cooking surface	7' 8" (2.34 m)	9' 2" (2.79 m)
Non-Vented (Recirculating) Installations		
	Min. ceiling height	Max. ceiling height
Electric cooking surface	7' 5" (2.26 m)	9' 6" (2.9 m)
Gas cooking surface	7' 8" (2.34 m)	9' 6" (2.9 m)

NOTE: The range hood chimneys are adjustable and designed to meet varying ceiling or soffit heights depending on the distance "X" between the bottom of the range hood and the cooking surface. For higher ceilings, a Stainless Steel Chimney Extension Kit Part Number EXTKIT18FS is available from your dealer or an authorized parts distributor. The chimney extension replaces the upper chimney shipped with the range hood.

PRODUCT DIMENSIONS



* For non-vented (recirculating) installations

** For vented installations.

VENTING REQUIREMENTS

- Vent system must terminate to the outdoors except for non-vented (recirculating) installations.
- Do not terminate the vent system in an attic or other enclosed area.
- Do not use 4" (10.2 cm) laundry-type wall cap.
- Use metal vent only. Rigid metal vent is recommended. Plastic or metal foil vent is not recommended.
- The length of vent system and number of elbows should be kept to a minimum to provide efficient performance.

For the Most Efficient and Quiet Operation:

- Use no more than three 90° elbows.
- Make sure there is a minimum of 24" (61 cm) of straight vent between the elbows if more than 1 elbow is used.
- Do not install 2 elbows together.
- Use clamps to seal all joints in the vent system.
- The vent system must have a damper. If the roof or wall cap has a damper, do not use the damper supplied with the range hood.
- Use caulking to seal exterior wall or roof opening around the cap.
- The size of the vent should be uniform.

VENTING METHODS

This canopy hood is factory set for venting through the roof or wall.

A 6" (15.2 cm) round vent system is needed for installation (not included). The hood exhaust opening is 6" (15.2 cm) round.

NOTE: Flexible vent is not recommended. Flexible vent creates back pressure and air turbulence that greatly reduce performance.

Vent system can terminate either through the roof or wall. To vent through a wall, a 90° elbow is needed.

Rear Discharge

A 90° elbow may be installed immediately above the hood.

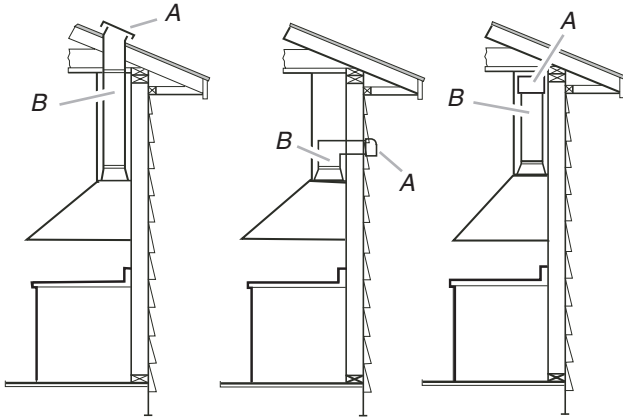
For Non-Vented (Recirculating) Installations

If it is not possible to vent cooking fumes and vapors to the outside, the hood can be used in the non-vented (recirculating) version, fitting a charcoal filter and the deflector. Fumes and vapors are recycled through the top grille. See the "Assistance or Service" section for information on ordering.

Roof Venting

Wall Venting

Non-Vented (Recirculating)



A. Roof cap
B. 6" (15.2 cm) round vent

A. Wall cap
B. 6" (15.2 cm) round vent

A. Deflector
B. 6" (15.2 cm) round vent

Calculating Vent System Length

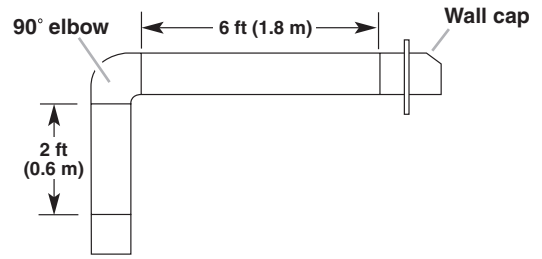
To calculate the length of the system you need, add the equivalent feet (meters) for each vent piece used in the system.

Vent Piece	6" (15.2 cm) Round
45° elbow	2.5 ft (0.8 m)
90° elbow	5 ft (1.5 m)



Maximum equivalent vent length is 35 ft (10.7 m).

Example Vent System



The following example falls within the maximum recommended vent length of 35 ft (10.7 m).

1 - 90° Elbow	= 5 ft (1.5 m)
1 - Wall cap	= 0 ft (0 m)
8 ft (2.4 m) straight	= 8 ft (2.4 m)
Length of system	= 13 ft (3.9 m)