



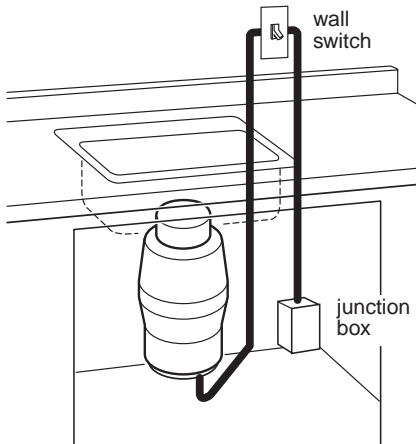
# Food-Waste Disposer

## PRODUCT MODEL NUMBER

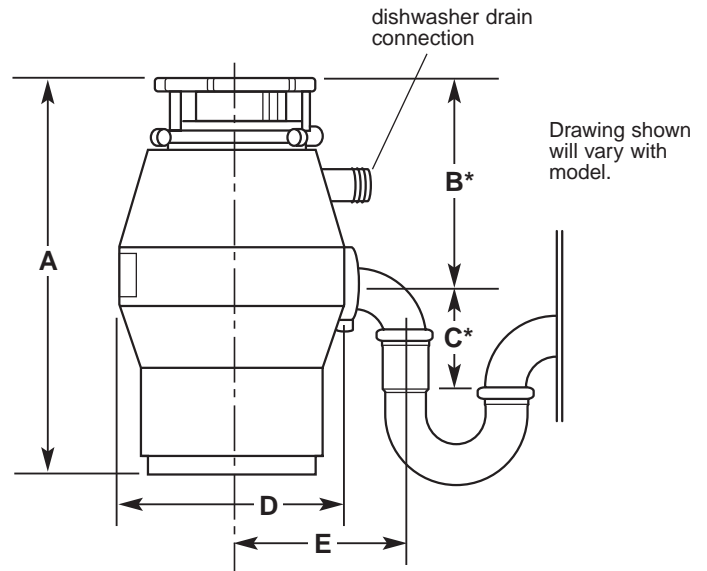
GC1000PE      GC3000XE  
 GC1000XE      GC5000XE  
 GC2000PE  
 GC2000XE

**Electrical:** A 120-volt, 60-Hz, AC-only 15- or 20-amp fused, grounded electrical supply is required. It is recommended that a separate circuit serving only your food-waste disposer be provided. Time-delay fuse of circuit breaker is recommended.

For continuous feed models, install a 15- or 20-amp wall switch above the countertop and junction box inside cabinet as shown. (Switch and electrical wiring can be obtained locally.) Position switch in a convenient location. Connect switch to junction box.



## OVERALL DIMENSIONS



Model No.	A	B*	C*	D	E
GC1000PE	11-3/8"	5-15/16"	4"	6-5/16"	5"
GC1000XE	11-3/8"	5-15/16"	4"	6-5/16"	5"
GC2000PE	11-3/8"	5-15/16"	4"	6-5/16"	5"
GC2000XE	11-3/8"	5-15/16"	4"	6-5/16"	5"
GC3000XE	12-5/8"	5-15/16"	4"	6-5/16"	5"
GC5000XE	12-7/8"	6-11/16"	4"	7-3/4"	5-3/4"

B\* – Distance from bottom of sink to center line of disposer outlet. Add 1/2 inch when stainless steel sink is used.

C\* – Length of waste line pipe from center line of disposer outlet to end of waste line pipe.

**IMPORTANT:** Plumb waste line to prevent standing water in disposer motor housing.