



Freezeless Yard Hydrant Model R34

The Woodford R34 freezeless yard hydrant is intended for irrigation purposes and offers immediate water flow even in sub-zero temperatures. The R34 can be used for many applications such as filling field spray equipment, cleaning equipment or tools, livestock watering, garden and lawn care. The shut-off valve for the hydrant is below the frost line when installed properly, which allows the water in the standpipe to drain out a hole in the valve body. When the hydrant is shut-off, and all devices removed from nozzle, the hydrant will drain and not freeze.

FEATURES:

Head & Handle: Ductile iron

All Metal Construction: No plastic components

Packing: Graphite for lubricity and long life

Valve Seat: Permanent brass valve body with large hemispherical seating surface.

Operation: 90° handle lift for full on

Nozzle: 3/4" brass hose nozzle

Casing: 1" Galvanized steel pipe

Operating Rod: 3/8" Steel rod

Drain Hole: Tapped - 1/8" N.P.T.

Adjustable Pivot Block: Provides easy and positive adjustment of the lever lock in tension

Tamperproof Lock: Can be padlocked in closed position

Inlet Specifications: 3/4" FPT

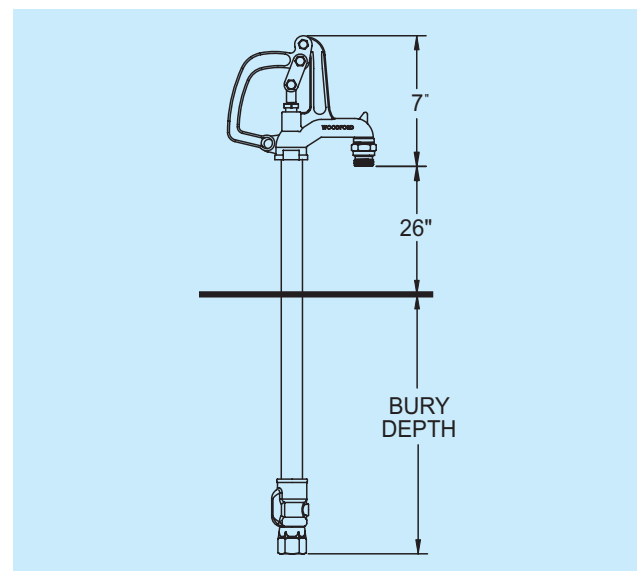
MAX PRESSURE - 125 p.s.i.

MAX TEMPERATURE - 120° F

SHIPPING WEIGHT

Bury Depth (Ft)	1	2	3	4	5	6	7
Shipping Wt. (Lbs)	9.2	11.3	13.4	15.5	17.6	19.7	21.8
Overall Length	45"	57"	69"	81"	93"	105"	117"

**For Installation / Troubleshooting Instructions go to
www.woodfordmfg.com or call 1-800-621-6032**



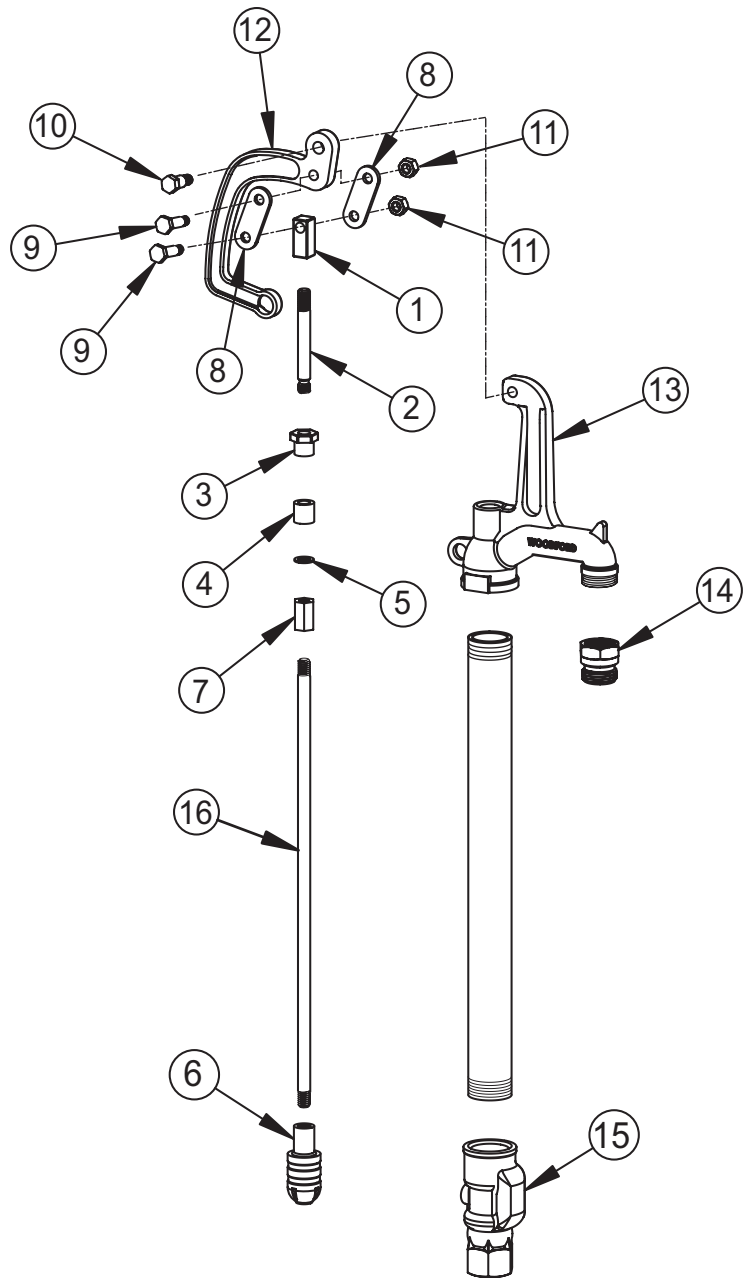
When ordering, specify model and bury depth.

WOODFORD



MODEL R34 PARTS LIST

ITEM	PART#	DESCRIPTION
	15246	R34 Head & Nozzle Assembly Includes items 13 & 14
	15247	R34 Head Assembly - Complete Includes items 1-6 & 8-14
1	10620	Link Plate (2)
2	10619	Pivot Square
3	10588	Rod Stem
4	10100	Packing Nut
5	10101	Packing
6	10102	Packing Support Washer
7	10108	Plunger
8	10481	Coupling Nut
9	10589	Link Bolt
10	10590	Handle Shoulder Bolt
11	10206	Hex Nut (2)
12	10587	Handle
13	10586	Head
14	10004	3/4" Brass Hose Nozzle
15	10018	Valve Body
16		Operating Rod
	10591	1' Bury (35-15/16" Long)
	10592	2' Bury (47-15/16" Long)
	10593	3' Bury (59-15/16" Long)
	10594	4' Bury (71-15/16" Long)
	10595	5' Bury (83-15/16" Long)
	10596	6' Bury (95-15/16" Long)
	10600	7' Bury (107-15/16" Long)
	RK-R34	Repair Kit (Includes items 1-7)



For more information contact...

WOODFORD MANUFACTURING COMPANY

2121 Waynoka Road, Colorado Springs, Colorado 80915 • Phone: (800) 621-6032 • Fax: (800) 765-4115
 To view our complete product line visit: www.woodfordmfg.com or email: sales@woodfordmfg.com

A Division Of WCM Industries, Inc.