

The Model 65, B65, RB65 are automatic draining, freezeless wall hydrants with single check hose connection anti-siphon vacuum breakers. Hydrants drain as handle is shut off, *even if hose is attached*. All models are designed for irrigation purposes to blend in with modern architecture for installation on restaurants, schools, office buildings, churches, apartments, motels, stores, shopping centers and industrial buildings.

SPECIFICATIONS:

MODEL 65/B65/RB65

- Approved under ASSE Standard 1019-B
- Listed by IAPMO®
- Meets Government Specification WW-P-541b

VACUUM BREAKER - ANTI SIPHON -

- NIDEL® Model 34HA with 3/4 inch male hose thread
- Approved under ASSE 1011
- Listed by IAPMO®

VALVE SEAT – Permanent type brass valve body with hemispherical seating surface.

VALVE – One piece valve plunger accurately controls both flow and drainage with a minimum number of turns and without need for adjustments.

DRAIN – Under nozzle away from hands of operator and with a lip to divert water away from building.

CASING – Copper tubes.

NO LEAD SOLDER - All solder joints.

STEM – Hardened stainless steel stem resists damage.

TEE KEY – Loose key operates hydrant.

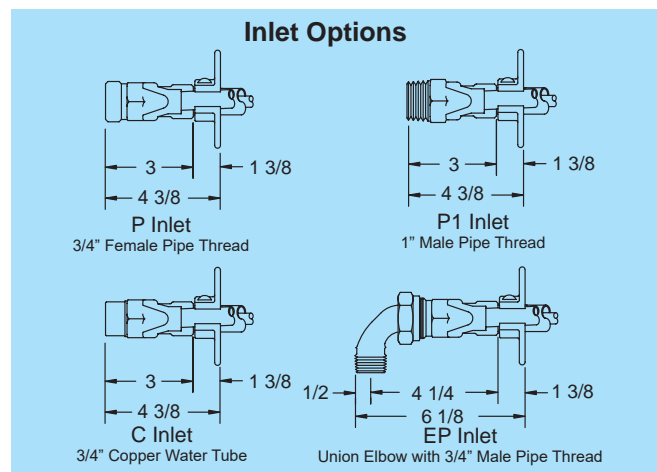
OPERATING ROD – 3/8" solid brass operating rod.

INLETS – As shown.

WALL CLAMP – Furnished on all 60 series except close coupled.

MAX PRESSURE – 125 p.s.i.

MAX TEMPERATURE - 120° F



Specify as follows:

Wall hydrant shall be Woodford Model 65 (exposed type), B65, RB65 or MB65 (concealed box type), automatic draining with anti-siphon vacuum breaker. ASSE Standard 1019-B approved. 3/4" inlet and outlet (specify type of inlet). Hardened stainless steel operating stem and one-piece valve plunger to control both flow and drain functions. Exterior finish to be Chrome Plated (options: Polished Brass or Rough Brass). Loose tee key to be furnished with each hydrant. Wall thickness to be _____ inches.

**Anti-Siphon
Freezeless
Wall Hydrants
Model 65/B65/RB65**



Model 65

Standard - Chrome (CH)
Optional - Brass (BR) Polished Brass (PB)
Fits one standard modular brick course.



Model B65

Exterior Finish: Box & Door
Standard - Chrome (CH)
Optional - Brass (BR) Polished Brass (PB)
Anodized Aluminum Box (AL)
Fits two std. modular brick course or one course of facing tile.

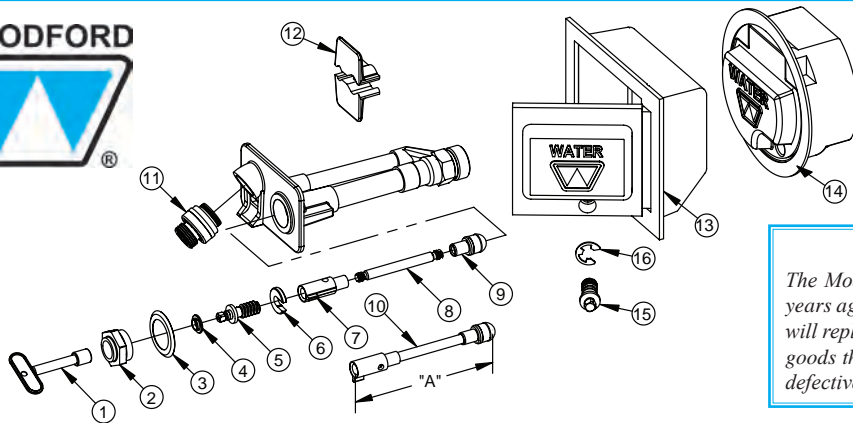


Model RB65

Exterior Finish: Box & Door - Chrome (CH) Only
Designed especially for tilt-up wall construction.
Install through 6" diameter hole.
Two 3/8"-16 tapped holes for all-thread anchors in back of box.
Lift and latch door stays open when hydrant is in use.

SEE WOODFORMFG.COM FOR INSTRUCTIONS AND DETAILS OF APPLICABLE PATENTS AND PATENTS PENDING OR CALL 1-800-621-6032

When ordering, specify model, inlet and wall thickness



MODEL 65/B65/RB65 PARTS LIST

ITEM	PART #	DESCRIPTION
1	50009	Tee Key
	50010	Long Tee Key (Box Models)
2	50264	Head Nut – chrome
	50265	Head Nut – brass
3	50583	I.D. RING
4	50252	Stem Washer
5	55062	Stem Screw
6	50251	“C” washer
7	51014	Yoke Nut
8	Operating Rod (Sold With Item 10 Only)	
9	50250	Plunger
10	554XX	Operating Rod Assembly (Includes Items 7,8,9) (Select required assembled length from table below)
11	34HA-CH	34HA Vacuum Breaker – chrome
	34HA-BR	34HA Vacuum Breaker – brass
12	55063	Wall Clamp Assembly
13	67BX	Box/Door Assembly – Chrome
	65BXF	Box/Flat Door Assembly – Chrome
	67BX-BR	Box/Door Assembly - Brass
	65BXF-BR	Box/Flat Door Assembly - Brass
	67BX-PB	Box/Door Assembly – Polished Brass
	65BXF-PB	Box/Flat Door Assembly – Polished Brass
	67BX-AL	Box/Door Assembly – Aluminum
14	RB67BX	Round Box/Door Assembly - Chrome
	RK-65	Chrome Repair Kit (Includes Items 1, 2, 4-7 & 9)
15	51117	Door Lock Screw - Chrome
	51116	Door Lock Screw - Brass
16	51120	E-Ring

Operating Rod Assy. “A”

Wall Thickness		Length	Part No.
65	B65/RB65		
CC	CC	3 1/2"	55401
N/A	4	4 1/2"	55402
4	6	6 1/2"	55404
6	8	8 1/2"	55406
8	10	10 1/2"	55408
10	12	12 1/2"	55410
12	14	14 1/2"	55412
14	16	16 1/2"	55414
16	18	18 1/2"	55416
18	20	20 1/2"	55418
20	22	22 1/2"	55420
22	24	24 1/2"	55422
24	N/A	26 1/2"	55424

Manufactured under one or more of the following patents:
 U.S. Patents:
 3,414,001
 4,178,956
 4,316,481
 4,532,954
 D216,790
 D216,791
 D277,365
 D277,366
 Canada Patents:
 852,529
 865,995
 1,146,438

Wall Thickness (Inch)	CC	4	6	8	10	12	14	16	18	20	22	24
Overall Length - Hydrant	5	8	10	12	14	16	18	20	22	24	26	28
Overall Length - Box Models	7 3/8	8 3/8	10 3/8	12 3/8	14 3/8	16 3/8	18 3/8	20 3/8	22 3/8	24 3/8	26 3/8	28 3/8
Shipping Wt. (Lbs)**	3.8	4.4	4.8	5.2	5.6	6	6.4	6.8	7.2	7.6	8	8.4

** Add 8.3 Lbs. for brass box models.
 ** Add 2.5 Lbs. for aluminum box models.

NOTE: Close Coupled Models are not recommended for use in freezing climates and cannot use wall clamp.

For more information contact...

WOODFORD MANUFACTURING COMPANY

2121 Waynoka Road, Colorado Springs, Colorado 80915 • Phone: (800) 621-6032 • Fax: (800) 765-4115
 To view our complete product line visit: www.woodfordmfg.com or email: sales@woodfordmfg.com

LIMITED WARRANTY
 The Model 65 is sold with a limited warranty for five years against defects in material and workmanship. We will replace or issue credit (at our option) for defective goods that are returned for inspection and found to be defective within five years of purchase from Woodford.

