

Flexible

Flex900 Innovator®

Models Flex916 / Flex924

Flexible tubing in place of the rigid PVC overflow pipe allows the overflow tubing to easily bend over from a misaligned drain pipe to the overflow hole of the tub.

SPECIFICATIONS

FEATURES:

- Eliminates the need to use 45° elbows for offsets. Just bend the flexible tubing to correct the misalignment.
- Eliminates all screws and a separate overflow test plug
- Eliminates leaks due to loose overflow attachment
- Eliminates dual inventory of one- and two-hole overflow plates
- Overflow elbow/flexible tubing joint is factory-welded; flexible tubing/sanitary tee joint is designed to cut and fit in the field.

Approvals:

- Non-corrugated, flexible PVC tubing
- Manufactured in compliance with ASME A112.18.2-2005/CSA B125.2-2005; and IAPMO PS 69-2006.

Patents (Innovator®):

- U.S. Pat. Numbers 5,890,241; 6,637,050; 6,675,406; 7,127,752; and Patents Pending
- Canadian Patent Number 2,437,448
- Mexican Patent Numbers PA/a/2003007344; PA/a/2005002784; PA/a/2005011301

Patents (WatcoFlex®):

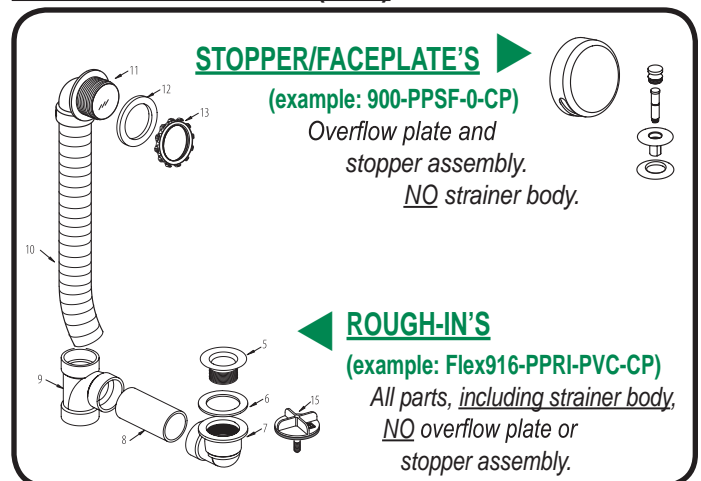
- U.S. Patent Pending
- Mexican Patent Number PA/a/2005011301

Thread Size:

- 1½" – 11½" NPSM (Coarse Thread)
- 1.865" Major Diameter (outside thread diameter)
- 11.5 threads per inch

Piping: Schedule 40, available only in PVC

ROUGH-IN (RI's) and STOPPER/FACEPLATE (SF's)



Model Flex916: Fits most tubs 14"-16" high
Length of flexible tubing = 16"

Model Flex924: Fits most tubs to 24" high
Length of flexible tubing = 24"



Includes built-in test membrane



Easily remove membrane after test



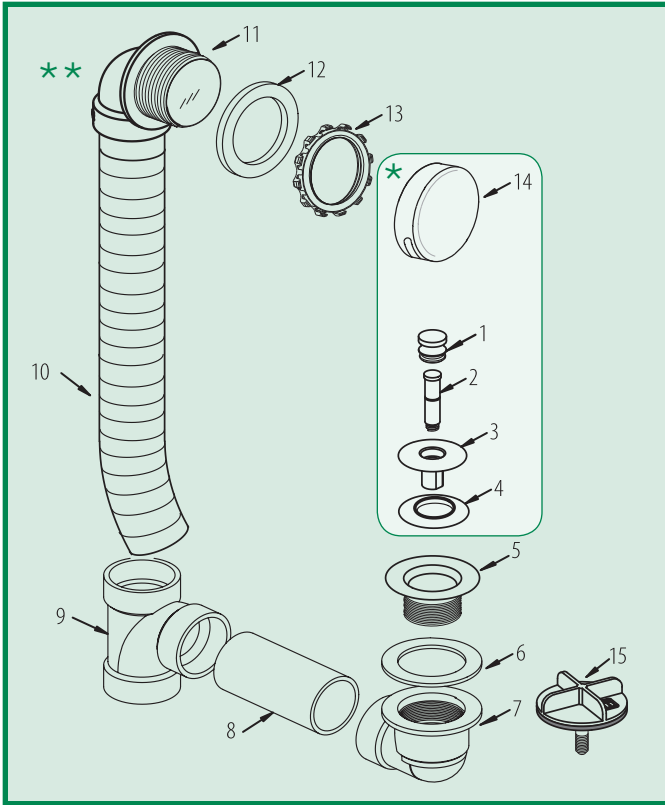
Snap-on overflow plate. No screws

See price list for complete item numbers and available options.
When ordering, please specify complete item number and any applicable option codes.

For more information, contact:
WATCO Manufacturing Company
 1220 South Powell Road
 Independence, MO 64057-2724
 Ph. 816-796-3900 • 800-821-8576
 Fax 816-796-0875 • 800-399-2826
 www.watcomfg.com



Flex900 Innovator® Parts List



Item Part # Description

1. 01010CP.....PUSH PULL® Knob, Brass
2. 11510.....Friction Ring and Post (11505 & 11532)
3. 01013CP.....Stopper, Brass
4. 11507.....Seal, 1-1/16" dia.
5. 01016CP.....Strainer Body, 1.865" - 11.5 - 1.25"
6. 10696.....Drain Ell Washer, 1.5" gray
7. 14008.....Drain Ell, Schedule 40, PVC
8. SCHPVC-4.625 ...Pipe, Schedule 40, PVC, 1.5" x 4.625"
9. 14010.....Sanitary Tee, Schedule 40, PVC
10. (not sold separately)...Flex916: Flexible Tubing, 1.5" x 16.0"
Flex924: Flexible Tubing, 1.5" x 24.0"

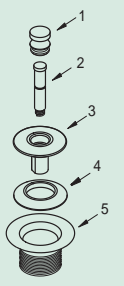
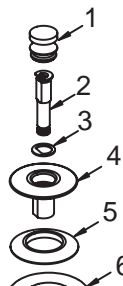

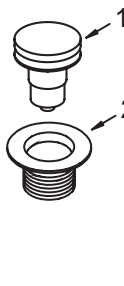
#10 FACTORY-WELDED TO #11:

11. 14020.....Innovator® Overflow Ell, Schedule 40, PVC
12. 10675.....Overflow Ell Washer, Foam
13. 11121.....Retainer Nut for Innovator®
14. 01004CP.....Overflow Plate for Innovator®
15. 11575.....Test Plug with "O"-Ring-type Gasket

* SF: (example: 900-PPSF) Parts #1 thru #4, and #14

** RI: (example: FLEX916-PPRI) Parts #5 thru #13 and #15

OPTIONAL TUB CLOSURES FOR FLEX900-SERIES BATH WASTES (PUSH PULL® ALSO SHOWN ABOVE)

 PUSH PULL® Coarse Thread	 LIFT & TURN Coarse Thread	 PRESFLO® Coarse Thread	 FOOT ACTUATED Coarse Thread
<ol style="list-style-type: none"> 1. 01010CP 01010__* 2. 11510 3. 01013CP 01013__* 4. 11507 5. 01016CP 01016__* <p>U.S. Pat. No. 4,720,877</p>	<ol style="list-style-type: none"> 1. 01010CP 01010__* 2. 11079 3. 11088 4. 11290CP 01013__* 5. 11507 6. 11492CP 01016__* <p>U.S. Pat. No. 5,758,368</p>	<ol style="list-style-type: none"> 1. 11145CP 11145__* 2. 11132 3. 11060CP 11060__* 4. 96039: Suction Cup for removing stopper <p>U.S. Pat. No. 4,457,030</p>	<ol style="list-style-type: none"> 1. 38412CP 38412__* 2. 11492CP 01016__*

*If finish other than Chrome is desired, please use this part number and indicate desired finish.

Finishes Available in the FLEX900 Series:

Tub Closures:	PUSH PULL®	LIFT & TURN	PRESFLO®	FOOT ACT.
CP - Chrome Plated	●	●	●	●
AB - Antique Brass				
AP - Aged Pewter	●	●	●	
BB - Brushed Bronze	●	●	●	
BN - Brushed Nickel	●	●	●	●
BO - Bone	●	●		
BS - Biscuit	●	●		
BZ - Oil-Rubbed Bronze	●	●	●	●
CB - Chrome Brushed	●	●	●	
NP - Nickel Polished	●	●	●	●
PB - Polished Brass	●	●	●	●
PN - Pearl Nickel	●	●	●	
WH - White	●	●		
WI - Wrought Iron	●	●	●	