

ProPEX® Ice Maker Box with Support Brackets, ½" (LF Brass) Valve

Submittal Information
Revision B: Jan. 26, 2010

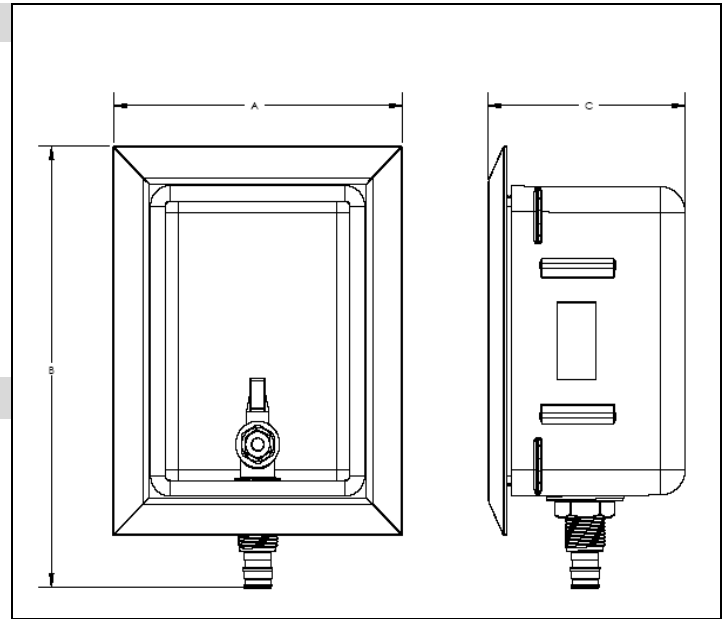
Project Information

Job Name:	
Location:	Part No. Ordered:
Engineer:	Date Submitted:
Contractor:	Submitted By:
Manufacturer's Representative:	Approved By:

Technical Data

Materials:

Box:	High-impact polystyrene
Frame:	High-impact polystyrene
Support Brackets:	High-impact polystyrene
Valve:	C69300 Brass



Product Information and Application Use

The ProPEX® Ice Maker Box with Support Brackets, ½" (LF Brass) Valve with snap-in frame includes a ½" lead-free brass valve with ¼" O.D. compression connection.¹

This high-impact box is an aesthetic, convenient option for connecting to standard ice maker tubing. Two support brackets are provided for easy mounting.

✓ Description	Part Number	Length (A)	Height (B)	Depth (C)	Weight
ProPEX Ice Maker Box with Support Brackets ½" (LF Brass) Valve	LF5955025	5.9"	8.5"	4.0"	0.87 lbs.

Installation

Mount in wall cavity at the desired location (e.g., behind refrigerator) using the supplied mounting brackets or directly to studs. For more information, refer to the AquaPEX® Professional Plumbing Installation Guide.

Standards

ASME A112.18.1; CSA B125-1; ASTM F1960

Codes

IPC; UPC; NSPC; NPC of Canada

Listings

ANSI/NSF 14- and 61-certified; U.P. Code, Annex G

Related Applications

PEX-a Plumbing Systems

Contact Information

Uponor, Inc.
5925 148th Street West
Apple Valley, MN 55124 USA
Phone: (800) 321-4739
Fax: (952) 891-2008
www.uponor-usa.com

Uponor Ltd.
2000 Argentia Rd., Plaza 1, Ste. 200
Mississauga, ON L5N 1W1 CANADA
Phone: (888) 994-7726
Fax: (800) 638-9517
www.uponor.ca

¹ProPEX® is a registered trademark of Uponor, Inc. ProPEX™ is a trademark of Uponor Ltd.