

prioAir Series

Inline Duct Fans with AC and EC Motors

Application

The prioAir series is designed for installation in ducts. Extremely efficient, prioAir fans are perfect for a wide assortment of quiet air-moving applications.

Design

Compact size, low noise, very high efficiency and air tight casing. Aerodynamically optimized impellers and guide vanes with external rotor motors. Includes a mounting bracket. Special composite material is corrosion-proof and light weight.

Speed control

The prioAir EC fan motor's speed is controlled via a 0-10Vdc signal. The motor provides a +10V reference that can be reduced by either the integrated or a remote-mounted potentiometer (such as MTP 10, see Accessories). The motor can also be controlled by an externally-provided 0-10Vdc signal that can come from any device or a Building Management System (BMS). The fan's motor also provides operational speed (tachometer pulse) output that can be used to verify fan operation. These control features allow the prioAir EC to be integrated into and play an active role in smart HVAC systems in buildings.

The prioAir AC fan models may be controlled via a solid state speed controller.

Motor protection

Thermal overload protection with automatic reset.

Models

AC motor models may be controlled via a solid state speed controller. EC motor models provide the highest efficiency, may be controlled via a 0-10Vdc speed control signal, and include a pre-wired speed control potentiometer.

Certification



Specification data

Model	Rated power	Voltage / phase	Max. Amps	RPM	0.0" P _s	0.2" P _s	0.4" P _s	0.6" P _s	0.8" P _s	1.0" P _s	Sound power level (inlet)	Shipping weight	Shipping class	Item #	MSRP
	W	V / ~	A	min ⁻¹	cfm					dB	lbs			USD	
prioAir 6	37	120 / 1	0.29	2754	295	252	195	38	-	-	68 @ 0.25" sp	7	1	49310	192.-
prioAir 6 EC	66	120 / 1	1.05	4041	443	418	387	352	313	261	72 @ 0.25" sp	7	1	49314	274.-
prioAir 8	93	120 / 1	0.81	2899	646	602	553	487	351	181	76 @ 0.25" sp	8	1	49312	244.-
prioAir 8 EC	128	120 / 1	1.80	3619	791	745	702	656	604	534	76 @ 0.25" sp	8	1	49316	349.-
prioAir 10	304	120 / 1	2.63	2920	1380	1324	1264	1200	1127	1043	80 @ 0.25" sp	14	1	56067	Call for price
prioAir 10 EC	164	120 / 1	2.4	2650	1237	1156	1079	997	900	769	77 @ 0.25" sp	10	1	56068	Call for price

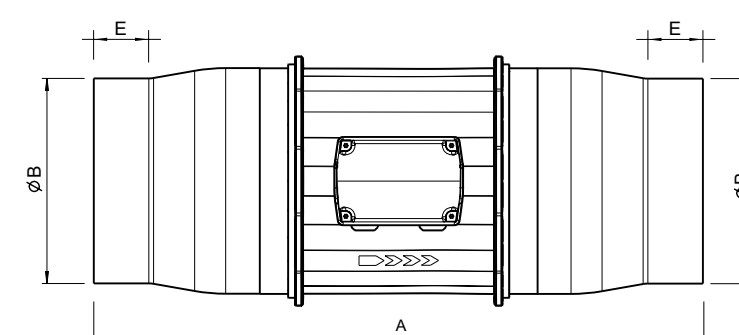
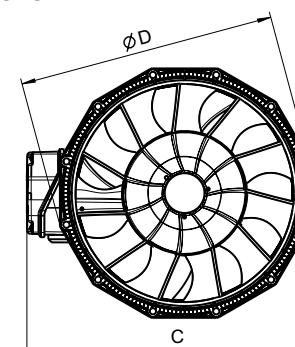


- Airflow up to 1,375 cfm
- Zero leakage
- Extremely energy efficient operation
- Can be installed in any position
- BMS compatible (EC models)

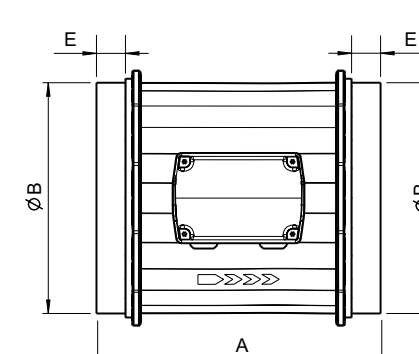
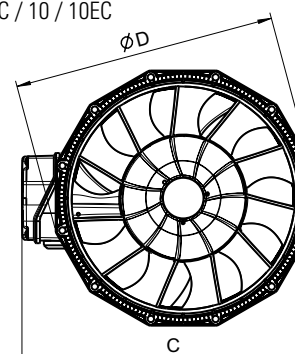


Dimensions

prioAir 6 / 6EC



prioAir 8 / 8EC / 10 / 10EC



Model	A	B	C	D	E
prioAir 6 / 6EC	16 3/16	5 7/8	8 1/4	7 3/8	1 5/8
prioAir 8 / 8EC	9 11/16	7 7/8	9 3/4	9	1
prioAir 10 / 10EC	11 11/16	9 13/16	11 15/16	11 1/16	1 3/16

Dimensional information is in inches.



Thanks to its compact size (Dia. x Length) 6" (8" x 16-3/16" (9-11/16")), the circular duct fan matches the duct dimensions. A truly tiny inline solution.

Accessories

- FC** Mounting Clamps page 265
- LD** Silencer page 266
- RSK** Backdraft Damper page 266
- IR** Iris Damper page 268
- ADC** Shut-off Damper page 267
- FML** Metal Hood page 264
- MTP 10²¹** Speed Control page 260
- DPC 200²¹** Constant Pressure Control page 260

²¹ for prioAir 6EC, prioAir 8EC and prioAir 10EC models only



Appurtenances for Ducted Air Systems

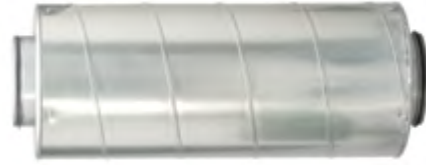
Duct and Duct-mounted Components

LD

Silencer for circular ducts

Easily-fitted silencer for circular ducts, fitted with a connection, which is compatible with a standard spiral duct. The LD effectively reduces noise in the duct. Two silencers can be used together in installations where noise reduction is critical. For the most effective noise reduction, the silencer should be fitted immediately behind a fan or bend.

- Insulation thickness 2 inches



Model	Duct, inch (mm)	Length, inch	Shipping weight, lbs	Shipping class	Item #	MSRP, USD
LD 4	4	23 ⁵ / ₈	13	1	411282	102.-
LD 5	5	23 ⁵ / ₈	16	1	411283	115.-
LD 6	6	23 ⁵ / ₈	17	1	411284	133.-
LD 8	8	23 ⁵ / ₈	20	1	411125	150.-
LD 10	10	35 ¹ / ₂	26	1	411286	232.-
LD 12	12 (315)	35 ¹ / ₂	35	1	411287	300.-
LD 14	14	35 ¹ / ₂	44	1	483558	351.-
LD 16	16	35 ¹ / ₂	56	1	411288	359.-

RSK

Backdraft Damper

Backdraft damper for circular ducts, manufactured from galvanized sheet metal. The two blades are spring-loaded. Every damper is built with performance in mind. The damper can be mounted vertically.



Model	Duct, inch	Length, inch	Shipping weight, lbs	Shipping class	Item #	MSRP, USD
RSK 4	4	3 ¹ / ₄	1	1	411112	16.-
RSK 5	5	3 ¹ / ₈	1	1	411113	19.-
RSK 6	6	3 ¹ / ₈	1	1	411114	20.-
RSK 8	8	3 ¹ / ₈	1	1	411115	29.-
RSK 10	10	3	2	1	411116	35.-
RSK 12	12	3	2	1	411117	47.-
RSK 14	14	6 ³ / ₈	4	1	411198	147.-
RSK 16	16	6 ³ / ₈	5	1	45125	183.-

FGR

Filter Cassette

Cabinet is manufactured from galvanized sheet steel. Shipping class 1.



FGR 8 is shown.

Specification Data for Filter Cassettes

Model	Filter Type	Shipping weight	Max airflow	Item #	MSRP
		lbs	cfm		
FGR 8	MERV 6	7	480	44684	128.-
FGR 10	MERV 6	7	480	44685	153.-
FGR 12	MERV 6	9	645	44686	177.-
FGR 12HV	MERV 8	35	2,075	49896	292.-
FGR 14HV	MERV 8	34	2,075	49895	294.-

FGR RFP

Replacement Filter Packs

A pack of supply air filters for filter cassettes FGR. Filter class MERV6 (MERV8 for FGR 12/14HV). Shipping class 1.



FGR 8/10 RFP is shown

Specification Data for Replacement Filters

Model	Quantity per pack	Shipping weight, lbs	Item #	MSRP, USD
FGR 8/10 Replacement Filter Pack	6	2	56060	47.-
FGR 12 Replacement Filter Pack	6	3	56061	61.-
FGR 12/14HV Replacement Filter Pack	12	15	56062	311.-

Appurtenances for Ducted Air Systems

Duct and Duct-mounted Components

ADC

Shut-off Damper w/motor

Shut-off damper ADC is a turn off damper. The damper is provided with 24V AC motor with spring return actuator. Power connects to a connection block inside the electrical box. Positive closure is provided by a tight seal.

- Power Open Spring Closed (POSC)



Specification Data

Model	Duct size	Voltage	NC/NO	Shipping weight	Shipping class	Item #	MSRP
	inch	V		lbs			
ADC 4	4	24	NC	4	1	44966	107.-
ADC 6	6	24	NC	5	1	44967	107.-
ADC 8	8	24	NC	5	1	44690	115.-
ADC 10	10	24	NC	6	1	44691	121.-
ADC 12	12	24	NC	7	1	44692	131.-
ADC 14	14	24	NC	7	1	46245	149.-

EM-WX

Electric Heater

Duct heater with spigot connection for standard spiral circular ducts. Manufactured from Aluzinc-coated sheet metal. The heater maintains discharge air temperature set point. The unit is controlled by an integral electronic temperature regulator. Automatic reset at 135°F / 150°F / 180°F.



Specification Data

Model	Duct size	Rated power	Voltage	Max amps	Shipping weight	Shipping class	Item #	MSRP
	inch	kW / BTUh	V	A	lbs			
EM-WX 10	10	10 / 34,140	240 / 1	42	36	1	44688	995.-
EM-WX 12	12	20 / 68,280	240 / 1	80	50	1	497836	1,686.-
EM-WX 14	14	20 / 68,280	240 / 1	80	49	1	497860	1,703.-