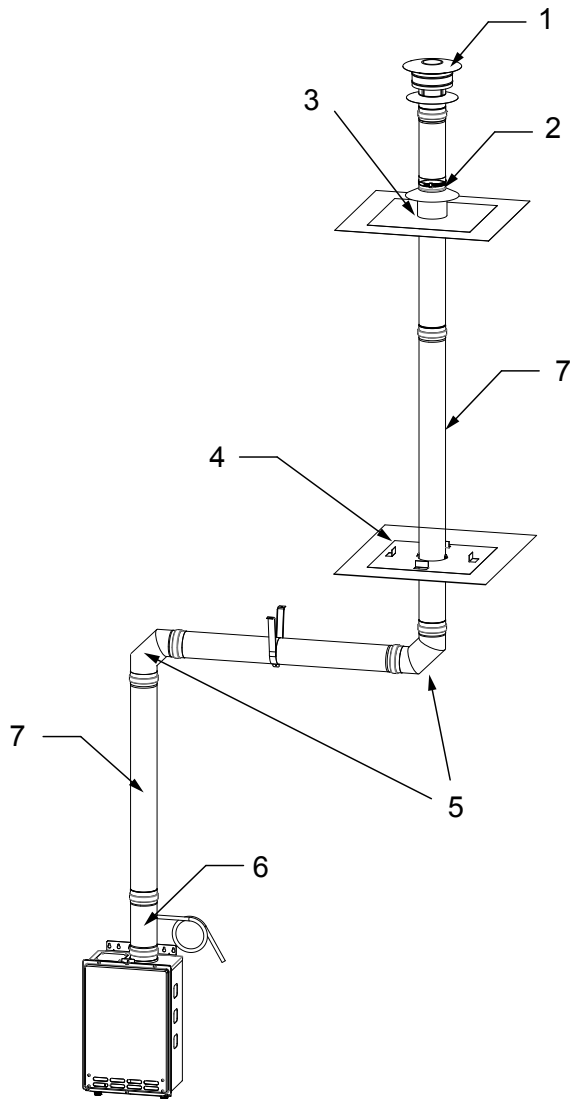
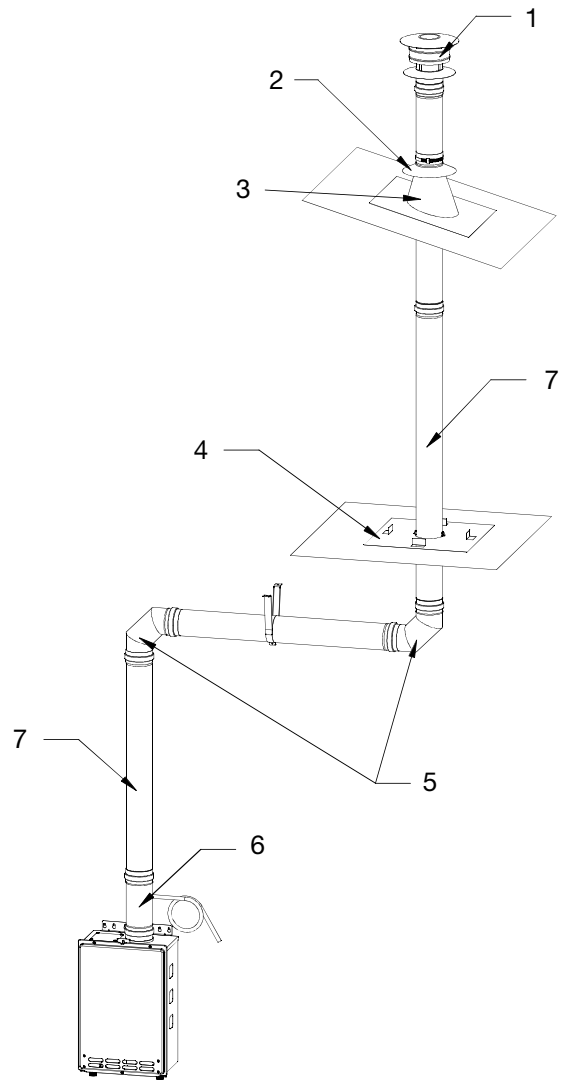


4" Rooftop Termination




Models 110/U, 310/U, 510/U				
4" Flat Roof Termination				Qty.
Kit Part Number: 9008340005	1	9008145005	4" Extreme Weather Rain Cap	1
	2	9007990005	4" Storm Collar	1
	3	9007992005	4" Flat Roof Flashing	1
	4	9007988005	4" Vertical Firestop	1
	5	9007980005	4" 90 degree Elbow	2
	6	9008146005	4" Universal Appliance Adaptor	1
	7	Refer to page 44	Straight Pipe	TBD



Models 110/U, 310/U, 510/U				
4" Angled Roof Termination				Qty.
Kit Part Number: 9008341005	1	9008145005	4" Extreme Weather Rain Cap	1
	2	9007990005	4" Storm Collar	1
	3	9007991005	4" Angeled Roof Flashing	1
	4	9007988005	4" Vertical Firestop	1
	5	9007980005	4" 90 degree Elbow	2
	6	9008146005	4" Universal Appliance Adaptor	1
	7	Refer to page 44	Straight Pipe	TBD

Nova Vent Part #	DESCRIPTION	
TERMINATION		
9008144005	4" Termination Tee	
9008198005	5" Termination Tee	
9007999005	4" Exhaust Sidewall Vent Terminator (Hood)	
9008197005	5" Exhaust Sidewall Vent Terminator (Hood)	
9007995005	4" Rain Cap	
9008145005	4" Extreme Weather Rain Cap	
9008200005	5" Extreme Weather Rain Cap	
9007611005	3" Concentric PVC Termination	
FIRESTOP		
9007988005	Vertical Firestop	
9008194005	5" Firestop	
ROOF FLASHING		
9007992005	4" Flat Roof Flashing	
9008195005	5" Flat Roof Flashing	
9007991005	4" Angled Roof Flashing	
9008196005	5" Angled Roof Flashing	
STORM COLLAR		
9007990005	4" Storm Collar	
9008193005	5" Storm Collar	
DIRECT VENT CONVERSION KIT		
9007667005	Direct Vent Conversion Kit for NIE models 110 (U) / 310 (U) / 510 (U)	
9007669005	Direct Vent Conversion Kit for NIEA Model 910	

Nova Vent Part #	DESCRIPTION	
INTAKE HOOD (GALVANIZED)		
9008142005	3"	
9008143005	4"	
9008180005	5"	

DIRECT VENT, CONCENTRIC SIDEWALL TERMINATION KIT		
Includes : DV Conversion Kit, Concentric Termination, Universal Adaptor 3-in-1, Aluminum Flex and Gear Clamp		
9008001005	5.0" to 10.0" 3" Intake, 4" Exhaust	
9008000005	12.0" to 18.0" 3" Intake, 4" Exhaust	
9008206005	5.0" to 10.0" 4" Intake, 4" Exhaust	
9008207005	12.0" to 18.0" 4" Intake, 4" Exhaust	
9008210005	5.0" to 10.0" 5" Intake, 5" Exhaust	
9008205005	12.0" to 18.0" 5" Intake, 5" Exhaust	

Note: 110/U, 140H, 310/U, 510/U, 240H, 340H, 540H series are compatible with 4" components. 910 series is compatible with 5" components.