

► **Code Number**

4020100

► **Description**

Act-O-Matic, Chrome Plated, Self-cleaning Shower Head with Thumb Screw Volume Control.

► **Flow Rate**

- 2.5 gpm/9.4 Lpm maximum

► **Specifications**

Act-O-Matic, Chrome Plated Shower Head with the following features:

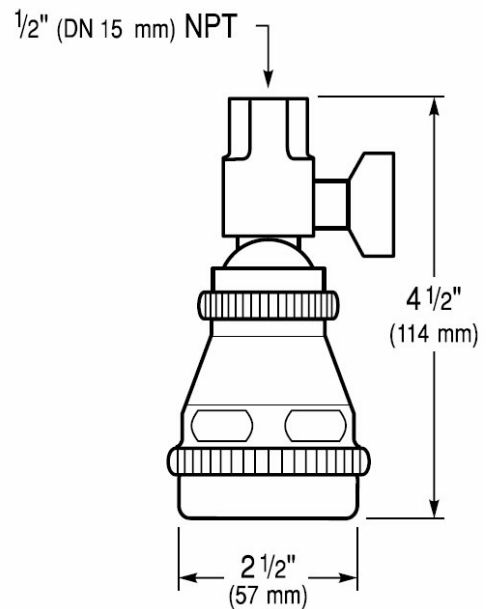
- Spring loaded, Self-cleaning Spray Disk to prevent particle clogging
- "Cone-within-a-cone" Spray Pattern for total body coverage
- Pressure Compensating 2.5 gpm/9.4 Lpm Flow Control
- All Brass Construction
- Universal Ball Joint with Thumb Screw Volume Control
- ½" I.P.S. Inlet

Shower Head shall be in conformance to all requirements of ANSI/ASME Standard A112.18.1M, CSA B-125 and the United States Federal Energy Policy Act.

► **Accessories (Sold Separately)**

Note: Shower Head Available with ½" Whitworth Thread (please specify).

See Accessories Section of the Sloan catalog for available accessories



► **Compliance & Certifications**



**Made In The
USA**

This space for Architect/Engineer Approval