

ADJUSTABLE ON-GRADE CLEANOUT

» 834 SERIES

FinishLine™

SPECIFICATION

Sioux Chief 834 series FinishLine™ adjustable on-grade cleanout shall be used where necessary in drainage systems. Cleanout shall allow adjustment before and AFTER the concrete pour. Scoriated cleanout cover shall meet applicable load requirements for intended use. Cleanout shall include a slotted, polypropylene or brass cleanout plug, situated in base adapter. Designed in accordance with ASME A112.36.2M-2002.

MATERIALS

Ring/cover: Nickel-bronze, stainless steel, tenzalloy

Coring plug: High-impact polymer

Head adapter/coring sleeve: Gray ABS

Base adapter: ABS, PVC

Cleanout plug: Polypropylene, brass

STRAINER LOAD RATING

Nickel-bronze: 4,000 lbs. (Medium duty)

Stainless steel: 4,000 lbs. (Medium duty)

Tenzalloy: 1,250 lbs. (Light duty)

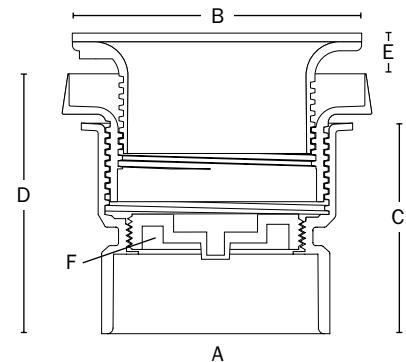
DIMENSIONS

A: Connection	3×4", 4" Sch. 40 hub
B: Ring/strainer diameter	
Round	6 ¹ / ₂ "
Square	6 ⁵ / ₈ "
C: Base adapter height	4 ¹ / ₂ "
D: Pre-pour height	5 ³ / ₈ " – 6 ⁵ / ₈ "
E: After-pour height	
Round	0" – 1 ¹ / ₄ "
Square	5 ⁵ / ₁₆ " – 1 ¹ / ₄ "
F: Cleanout plug	3 ¹ / ₂ " male thread

ITEM # SUBMITTED	_____
JOB NAME	_____
LOCATION	_____
ENGINEER	_____
CONTRACTOR	_____
PO#	_____ TAG _____



834-4PNQ



Create Item Number

834-ABCD

e.g. **834-4PNRV**: FinishLine™ cleanout with 4" PVC hub connection and vandal-resistant nickel-bronze cover

CONNECTION **A**

3 = 3×4" Sch. 40 hub

4 = 4" Sch. 40 hub

CONNECTION TYPE **B**

A = ABS base adapter

P = PVC base adapter

RING/COVER **C**

NR = Round nickel-bronze

NQ = Square nickel-bronze

SR = Round stainless steel

SQ = Square stainless steel

TR = Round tenzalloy

INSTALLED OPTIONS **D**

V = Vandal-resistant cover screws

S = Stamping: specify letters

C = Carpet marker

Z = Complies with Buy American Act¹

ACCESSORIES (ordered separately)

832-S4 = Leveling shim kit

832-EX4 = Ductile extension adapter

832-W = Flexible locating bristle kit

¹ Available for round nickel-bronze covers only