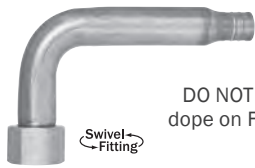


SUPPLY



DO NOT use pipe dope on FIP threads

Swivel-Fitting

631X02

DRAINAGE

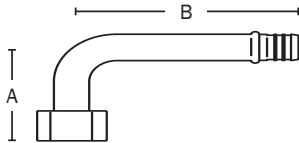


DO NOT use pipe dope on FIP threads

Swivel-Fitting

631XG02FP

SUPPORT



NO LEAD

PowerPEX™ Water Heater Connector

FIP Elbow

- Brass FIP swivel nut includes gasket
- Fitting with 600 WOG full port ball valve available
- Dielectric fitting
- Lead-free solder joint
- 3/4" type L copper

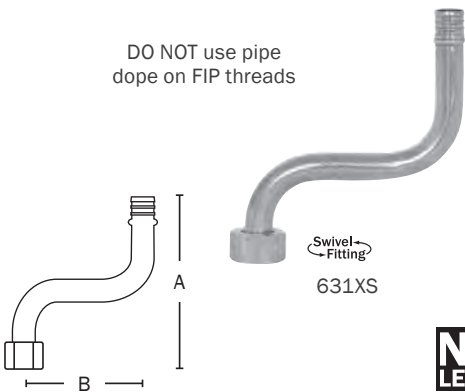
Related Products

Water Heater Connector Kits p 65

Item No	Connection	Dimensions		Ball Valve	Pkg	Min Qty	Case Qty
		A	B				
631X02	3/4" F1807 × 3/4" FIP swivel	3"	4 1/2"		B	25	25
631X06	3/4" F1807 × 3/4" FIP swivel	6"	6"		B	25	25
631XG02FP	3/4" F1807 × 3/4" FIP swivel	3"	6"	✓	B	12	12

APPENDIX

DO NOT use pipe dope on FIP threads



Swivel-Fitting

631XS

NO LEAD

PowerPEX™ Water Heater Connector

FIP S-Bend

- Brass FIP swivel nut includes gasket
- Great for routing PEX away from water heater stack
- Dielectric fitting

Item No	Connection	Dimensions		Pkg	Min Qty	Case Qty
		A	B			
631XS	3/4" F1807 × 3/4" FIP swivel	6"	4 1/2"	B	50	50

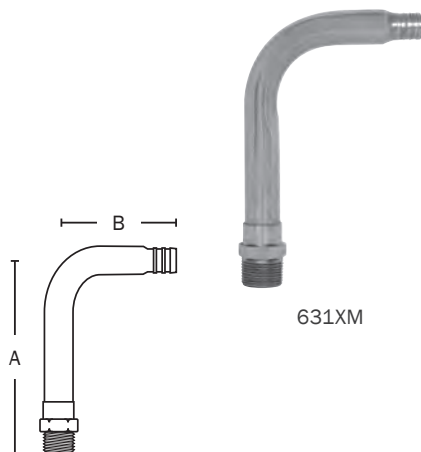
PowerPEX™ Water Heater Connector

MIP Elbow

- Full flow – no restriction
- Lead-free solder joint
- Made from Type L copper tube

Related Products

Water Heater Connector Kits p 65



631XM

Item No	Connection	Dimensions		Pkg	Min Qty	Case Qty
		A	B			
631XM	3/4" F1807 × 3/4" MIP	6"	4"	B	25	25