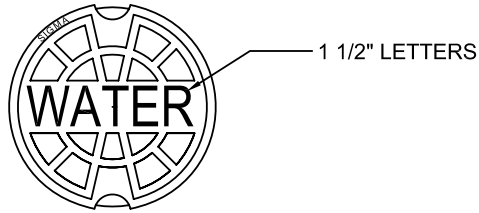


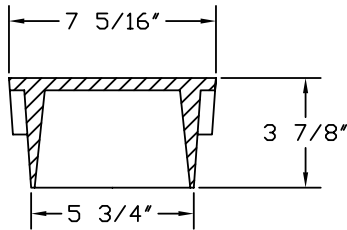
Valve Boxes



NUMBER	DESCRIPTION	PAGE
VB 100W	Valve Box Set Slip Type Top, Bottom & Lid, WATER Jacksonville Std	106
VB 259	Valve Box Set Slip Type Top, Bottom & Lid, Winston Salem Std	107
VB 2591	Valve Box Slip Type Top Section Only Winston Salem Std	107
VB 2592	Valve Box Slip Type Botton Section Only Winston Salem Std	107
VB 259C	Valve Box Slip Type Cover Only Winston Salem Std	107
VB 2600	Valve Box Lids Only GAS, SEWER, WATER, FIRE, DRAINS	108
VB 2601	Valve Box Riser Rings 1" 1 1/2" 2" 3" 4" 6" & 8"	109
VB 2607W	Valve Box 2 piece Lid Only for Use with PVC Pipe	110
VB 261	Valve Box Set Screw Type Top, Bottom & Lid "WATER" 18" to 24"	111
VB 2611	Valve Box Top Section Only 10 " Screw	111
VB 2612	Valve Box Botton Section Only 15" Screw	111
VB 262	Valve Box Set Screw Type Top, Bottom & Lid WATER 24" to 36"	112
VB 2621	Valve Box Screw Type Top Section Only 16" Screw	112
VB 2622	Valve Box Screw Type Bottom Section Only 24" Screw	112
VB 372	Valve Box Set Slip Lid & Bottom Greensboro Std	113
VB 3721	Valve Box Lid Only Greensboro Std	113
VB 3722	Valve Box Bottom Section Only Greensboro Std	113
VB 460	Valve Box Set Slip Type Top & Bottom Charlotte Std	114
VB 4601	Valve Box Slip Type Top Section Only Charlotte Std	114
VB 4602	Valve Box Slip Type Bottom Section Only Charlotte Std	114
VB 460C	Valve Box Slip Type Cover Only Charlotte Std	114
VB 461	Valve Box Set Slip Type Top, Bottom & Lid "WATER" 18" to 24"	115
VB 4611	Valve Box Slip Type Top Section Only	115
VB 4612	Valve Box Slip Type Botton Section Only	115
VB 462	Valve Box Set Slip Type Top, Bottom & Lid "WATER" 24" to 36"	116
VB 4621	Valve Box Slip Type Top Section Only	116
VB 4622	Valve Box Slip Type Bottom Section Only	116

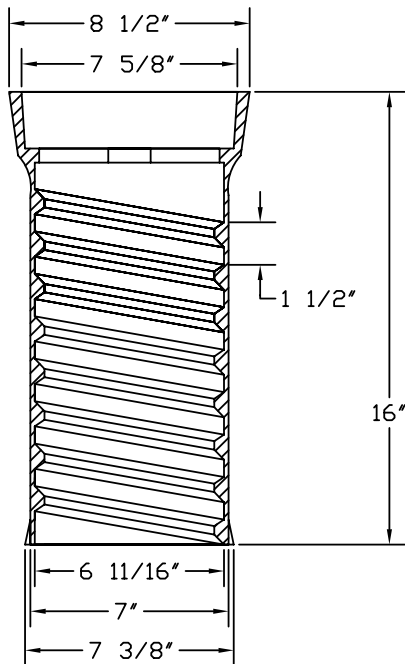


COVER FACE



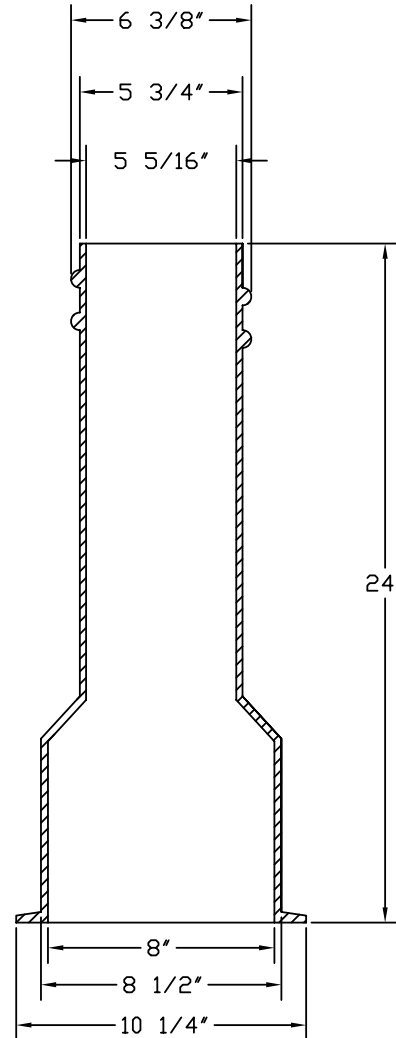
VB-2600

COVER SECTION



VB-2621

TOP SECTION



VB-2622

BOTTOM SECTION



**SIGMA
CORPORATION**

(800) 824-4513
PO Box 519
Alexander City, AL 35011

(800) 738-2956
PO Box 1043
Rockingham, NC 28380

DRAWN BY: RJL DATE: 6/29/2006

**VALVE BOX
SCREW TYPE**

LOAD RATING:
Meets H20 Loading Standards
HEAVY DUTY

MATERIAL SPECIFICATION:
CAST IRON
ASTM A 48 CLASS 30B

OPEN AREA - SQ. IN.
N/A

CATALOG NUMBER

VB-262