



## Valve Boxes - Index

Item Number	Description	Page
VB791C	24/33 SERVICE BOX W/ LOCKING LID	VB7
VB792C	30/39 SERVICE BOX W/ LOCKING LID	VB7
VB792D	30/42 SERVICE BOX W/ LOCKING LID	VB7
VB793D	36/48 SERVICE BOX W/ LOCKING LID	VB7
VB793E	36/54 SERVICE BOX W/ LOCKING LID	VB7
VB794E	42/60 SERVICE BOX W/ LOCKING LID	VB7
VB795E	41/64 SERVICE BOX W/ LOCKING LID	VB7
VB700E	54/72 SERVICE BOX W/ LOCKING LID	VB7
VB700F	54/78 SERVICE BOX W/ LOCKING LID	VB7
VB701F	60/84 SERVICE BOX W/ LOCKING LID	VB7
VB7951	9" SERVICE BOX EXTENSION	VB7
VB7952	16" SERVICE BOX EXTENSION	VB7
VB7953	28" SERVICE BOX EXTENSION	VB7
VB7954	30" SERVICE BOX EXTENSION	VB7
VB7965	ENLARGED SERVICE BOX BASE	VB7
VB7900	SERVICE BOX BRASS SCREW	VB7
VB7901	SERVICE BOX WRENCH	VB7
VB7905	SERVICE BOX REPAIR LID OLD STYLE	VB7
VB7906	SERVICE BOX REPAIR LID NEW STYLE	VB7
VB101	HOUSTON A SECTION VBX	VB9
VB105	#4 ADJ VB&CVR FOR 6" PIPE	VB9
VB106	VB EXT & CVR FOR 6" PIPE	VB10
VB107	9-1/4" LATERAL CLEAN OUT	VB10
VB108	TX CLEAN OUT BOOT	VB10
VB110	CORPUS EQ VALVE BOX EXT	VB10
VB126W	DROPIN MUSHRM CAP "WTR" 6 I.D.	VB11
VB126S	DROP MUSHRM CAP "SWR" 6" PIPE	VB11
VB149	AUSTIN VBX	VB11
VB160	SAN ANT VBX SET	VB12
VB165	DALLAS SHORTY 10" VBX "WATER"	VB12
VB218	KCMO 6-7/8" LT WGT VBX	VB12
VB219	KCMO 12" VBX "TYPE 2"	VB13
VB2238	KC&MO LAMP HOLE	VB13
VB2607	DROP IN VBX FOR PVC PIPE	VB14
VB284	MO TOP HAT WITH "WATER" CVR	VB14
VB284S	MO TOP HAT WITH "SEWER" CVR	VB14
VB287S	AUSTIN STD CLEANOUT "SEWER"	VB14
VB288	LA 2-1/2" FRM&CVR CLEANOUT	VB14
VB289	NEW ORLEANS 15" VBX W/LID	VB15
VB4650	5 1/4" LOCKING LID	VB15
VB4864	6 GATE CAP	VB15
VB4884	8 GATE CAP	VB15
VB102	NEW MEXICO BONNET	VB16

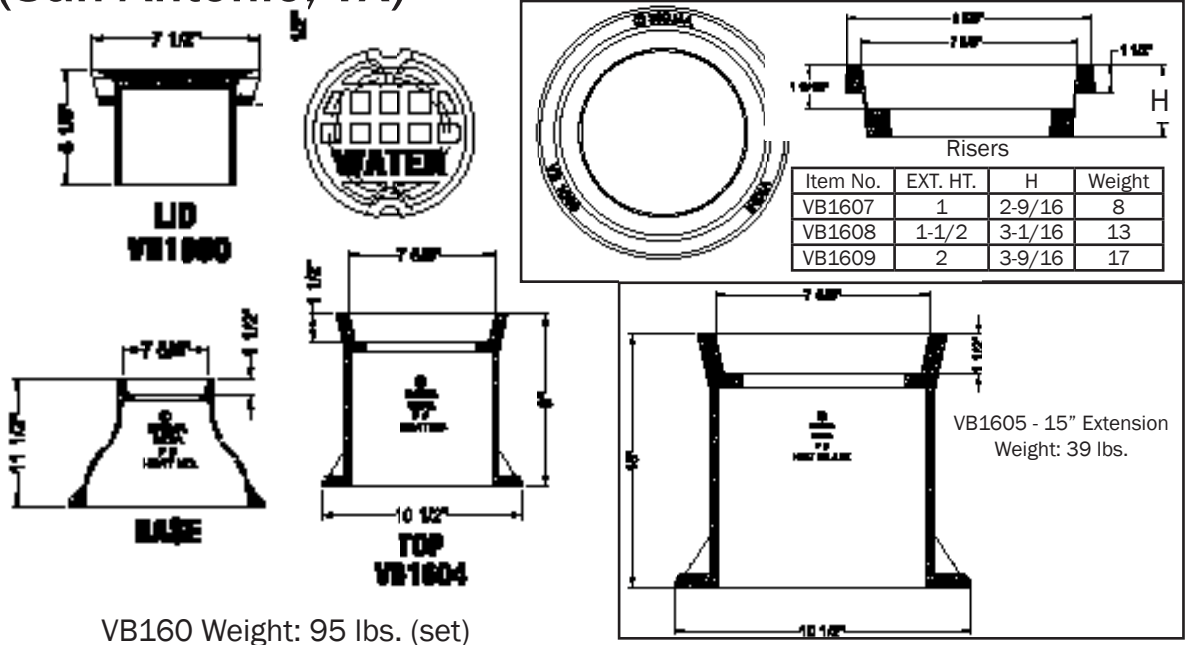


Municipal

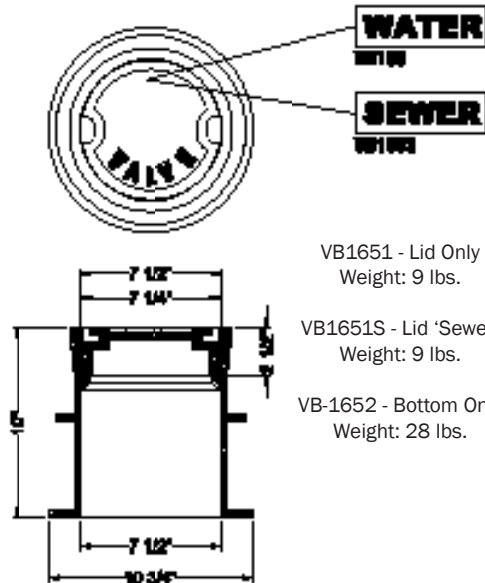
Valve Boxes

C  
A  
S  
T  
I  
N  
G  
S

VB160  
(San Antonio, TX)



VB165  
(Dallas, TX)



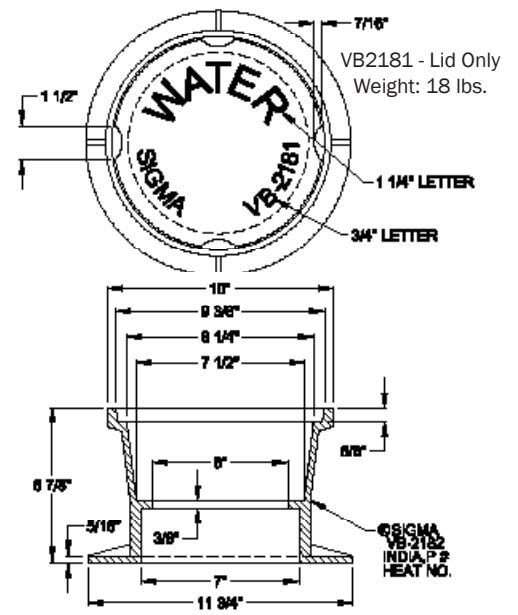
VB1651 - Lid Only  
Weight: 9 lbs.

VB1651S - Lid 'Sewer'  
Weight: 9 lbs.

VB-1652 - Bottom Only  
Weight: 28 lbs.

Weight: 37 lbs.

VB218  
(Kansas City, MO)



VB2181 - Lid Only  
Weight: 18 lbs.

Weight: 40 lbs.