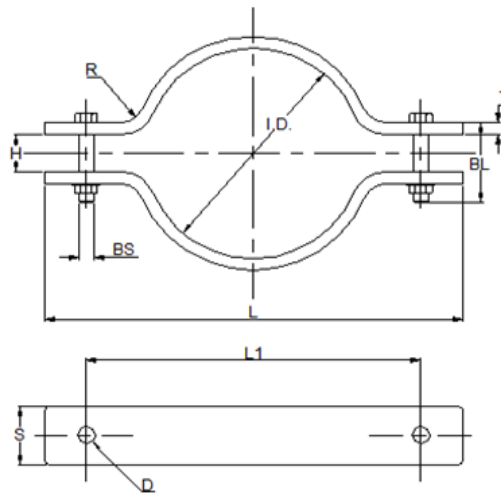


Socket Clamp



PRODUCT SPECIFICATIONS

- Material: Steel
- Sizes: 3” through 24”
- Function: Clamp is used for underground AWWA cast iron and ductile iron water pipe to prevent joints from separating.



THE DIMENSIONS OF SC03LW TO SC24LW (INCHES)											
ITEM No	PIPE SIZE	I.D	T	L	L1	S	D	R	H	BS	BL
SC03LW	3	3.96	3/8	12.00	8.50	2.00	0.75	0.50	0.80	5/8	5/8 x 3
SC04LW	4	4.80	1/2	12.75	9.50	2.00	0.75	0.50	1.00	5/8	5/8x3 1/4
SC06LW	6	6.90	1/2	15.50	12.00	2.00	0.75	1.00	1.40	5/8	5/8x3 1/4
SC08LW	8	9.05	1/2	17.50	14.00	2.00	0.75	1.00	1.60	5/8	5/8x3 1/4
SC10LW	10	11.10	1/2	19.50	16.00	2.00	0.75	1.25	2.20	5/8	5/8x3 1/4
SC12LW	12	13.20	1/2	22.00	18.00	2.00	0.75	1.25	2.60	5/8	5/8x3 1/4
SC14LW	14	15.30	3/4	28.50	24.00	3.00	1.00	1.50	3.00	7/8	7/8 x 4 1/2
SC16LW	16	17.40	3/4	30.75	26.00	4.00	1.25	1.50	3.50	1	1 x 5
SC18LW	18	19.50	3/4	34.75	29.00	4.00	1.50	1.50	4.00	1 1/4	1 1/4 x 5
SC20LW	20	21.60	3/4	37.50	32.00	5.00	1.50	1.75	4.30	1 1/4	1 1/4 x 6 1/2
SC24LW	24	25.80	3/4	43.00	35.00	5.00	1.75	1.75	5.20	1 1/2	1 1/2 x 6