



Manhole Rings & Covers - Index

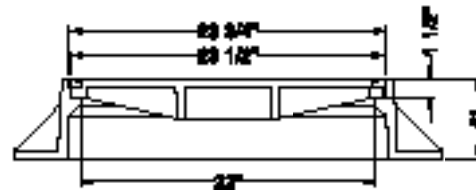
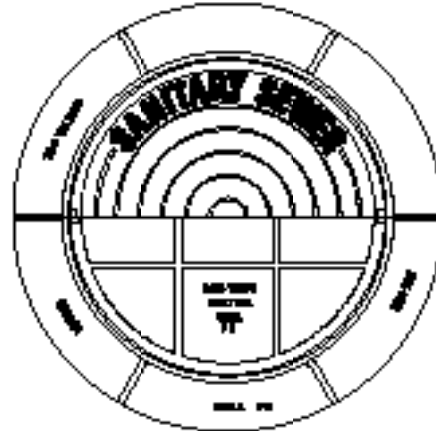
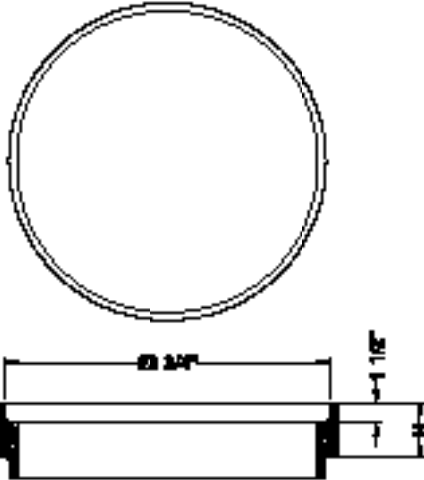
Item Number	Description	Page
MH1676	32" W/T R&C - GENERIC	MH16
MH1700W	48" COH R&C "WATER"	MH16
MH171	18" CHAIN INLET SET "AUSTIN"	MH16
MH171C	18" CHAIN INLET SET "CEDAR PARK"	MH17
MH171F	18" CHAIN INLET SET "PFLUGERVILLE"	MH17
MH171L	18" CHAIN INLET SET "LEANDER"	MH17
MH171R	18" CHAIN INLET SET "ROUND ROCK"	MH17
MH171P	18" CHAIN INLET SET "PLAIN"	MH17
MH177	23-3/8" INLET W/LOCK"STORM DRAIN"	MH17
MH1812G	12" REV SLAB TYPE R&G FOR ADS PIPE	MH18
MH1815G	15" REV SLAB TYPE R&G FOR ADS PIPE	MH18
MH1818G	18" REV SLAB TYPE R&G FOR ADS PIPE	MH18
MH1824G	24" REV SLAB TYPE R&G FOR ADS PIPE	MH18
MH185TD-35	26" REV R&C "STORM DRAIN"	MH18
MH185SA-35	26" REV R&C FISH LOGO- SAN ANTONIO	MH18
MH192N	23-1/2" 250LBS ARK R&C "SAN SWR"	MH18
MH1922	2" RISER RING FOR MH192/MH110	MH19
MH1923	3" RISER RING FOR MH192/MH109	MH19
MH1924	4" RISER RING FOR MH192/MH110	MH19
MH1926	6" RISER RING FOR MH192/MH111	MH19
MH192LN	23-1/2" R&C W/PICK BAR, AR	MH19
MH1975	32" R&C ROUND ROCK, TX	MH19
MH1976	32" R&C WATER TIGHT ROUND ROCK, TX	MH20
MH201	24" R&C SLAB STYLE	MH20
MH202	22" R&C SLAB STYLE	MH20
MH2020P-35	22" R&C SLAB STYLE-"OVERLAND PARK"	MH21
MH207	24" R&C KCMO STD	MH21
MH20702	2" EXT RING FOR MH207	MH21
MH20725	2-1/2" RISER RING FOR MH207	MH21
MH20703	3" RISER RING FOR MH207	MH21
MH2070P-35	24" R&C OVERLAND PARK	MH21
MH208	23 1/4" R&C KCMO STD	MH22
MH208J	26 1/4" R&C JOHNSON COUNTY	MH22
MH208BS	25 1/4" R&C BLUE SPRINGS	MH22
MH208L	23 1/4" R&C "LIBERTY"	MH22
MH208R	23 1/4" R&C "RAYMORE"	MH22
MH20802	2" EXT RING FOR MH208	MH23
MH208025	2-1/2" EXT RING FOR MH208	MH23
MH20803	3" EXT RING FOR MH208	MH23
MH214	24" BOLTED R&C HEAVY DUTY	MH23
MH214J	24" BOLTED R&C JOHNSON COUNTY	MH23
MH215	24" R&C KCMO R3 R&C W/ CAM LK	MH23
MH215LC	24"KCMO R3 R&C LESS CAM LK	MH23
MH216	24" KCMO R4 R&C W/CAM LK	MH24
MH216LC	24" KCMO R&C LESS CAM	MH24
MH217	26" R&C W/24" CLEAR OPENING	MH24
MH218	24-1/2" KCMO TYPE "B" METER BOX	MH24
MH219	31" KCMO TYPE C W/INNER LID	MH25
MH220	31" KCMO TYPE D W/INNER LID	MH25
MH225	23-3/4" R&C "SEWER"	MH25
MH256	23-3/4" R&C WATER TIGHT	MH25
MH590	24-5/8" 'CORPUS CHRISTI A90 SIDEWALK	MH26

Manhole Rings & Covers

Municipal

Risers for MH192

MH192LN



MH192LN: 222 lbs.

Item	Ext Size	H	Wt.
MH1922	2	2	56
MH1923	3	3	80
MH1924	4	4	95
MH1926	6	6	161

CAST IRON

MH1975 (Round Rock, TX)

MH1975N
'SANITARY SEWER'

MH1975T
'STORM'

Weight: 395 lbs.

