

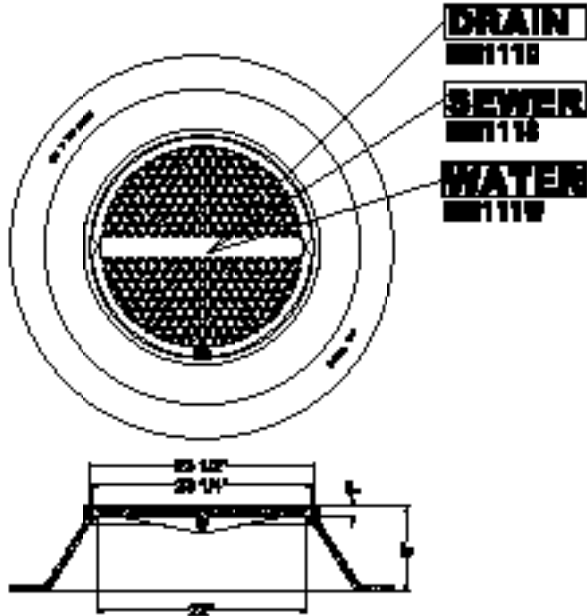
Manhole Rings & Covers - Index

Item Number	Description	Page
MH100N-35	26" OKLAHOMA "REV" R&C	MH3
MH102N	26" OKLAHOMA R&C "SAN SWR"	MH3
MH107	23-1/2" TOP FLG R&C "PLAIN & STORM"	MH4
MH109	23-1/2" TOP FLG SIDE WALK R&C	MH4
MH110	23-1/2" R&C W/MUD RING "TX"	MH4
MH111	23-1/2" FLARING R&C "LA"	MH5
MH112	23-1/2" R&C BATON ROGUE CPTM	MH5
MH115	32" CVR&R W/MUD RING	MH5
MH116EPN	32" R&C "NEW MEXICO" RIO VALLEY	MH5
MH116EPT	32" R&C "NEW MEXICO" RIO VALLEY	MH6
MH116EPW	32" R&C "NEW MEXICO" RIO VALLEY	MH6
MH117D	23-3/16" R&C "DRAIN" LA, JUNCTION BOX	MH6
MH118	12-1/2" - 8"H TULSA LAMPHOLE	MH7
MH1200T-35	23-1/2" R&C "COH" INVERTED	MH7
MH122N-35	23-1/2" R&C TULSA SAN SWR "NEW STYLE"	MH7
MH123SW	20" R&C "SAMPLE WELL" PARK/PLAIN	MH7
MH125N	23-3/4" R&C "SAN SEWER" ODESSA	MH8
MH127N	24" R&C "SAN SWR" MIDLAND	MH8
MH129E-35	30-5/8" R&C "ELEC"	MH8
MH131	19" R&C "REV" PLAIN	MH8
MH132	23-1/2" R&C "REV" PLAIN	MH9
MH133	25 " R&C "REV" PLAIN	MH9
MH133TD	25 " R&C "REV" "STORM DRAIN"	MH9
MH134C	32" R&C "REV" COMMUNICATION	MH9
MH1376	32" W/T R&C "CEDAR PARK"	MH10
MH140N	24" 400LBS DFW R&C "SAN SWR"	MH10
MH141	24" 400LBS DFW WATER TIGHT	MH10
MH1403	3" R&C RISER FOR MH140	MH10
MH1404	4" RISER FOR MH140	MH10
MH1375	32" R&C "CEDAR PARK"	MH11
MH142N	24" TX REV R&C " SAN SWR"	MH11
MH143LN	24" TX R&C "SAN SWR" LIGHT	MH11
MH143	24" TX R&C	MH11
MH143HN-35	24" R&C "SAN" HARLINGEN STD ROADWAY	MH12
MH145WW	24" DALLAS W/T R&C "W/WTR"	MH12
MH14325	24" TX 2-1/2" RISER RING	MH12
MH1433	24" TX 3" RISER RING	MH12
MH1434	24" TX 4" RISER RING	MH12
MH1436	24" TX 6" RISER RING	MH12
MH147N	23-1/2" AUSTIN W/T R & DI: LID "SAN SWR"	MH13
MH149EP	23-7/8" R&C "EL PASO"	MH13
MH152	26-1/2" R&C Mc ALLEN	MH14
MH153	26-1/2" W/T R&C Mc ALLEN	MH14
MH1575	32" R& DI: CVR - AUSTIN	MH14
MH1576	32" W/T R& DI: CVR - AUSTIN	MH14
MH158	23-3/4 R&C CORPUS CHRISTI	MH15
MH1600N-35	32" COH R&C "SAN"	MH15
MH1600T-35	32" COH R&C "STORM"	MH15
MH16003-35	32" COH 2" RISER RING ONLY	MH15
MH16004-35	32" COH 3" RISER RING ONLY	MH15
MH16005-35	32" COH 4" RISER RING ONLY	MH15
MH1675	32" R&C - GENERIC	MH16

Manhole Rings & Covers

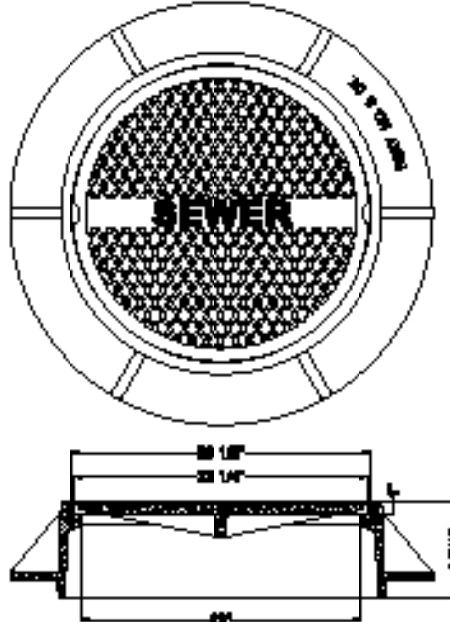
Municipal

MH111



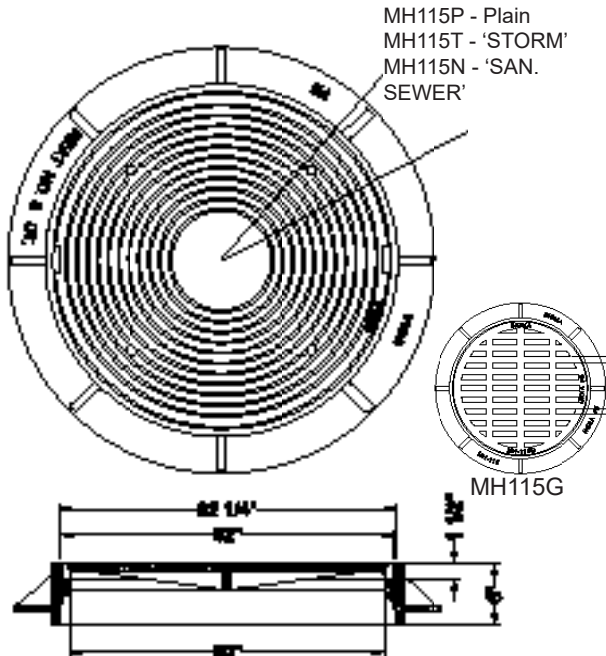
Weight: 352 lbs.

MH112



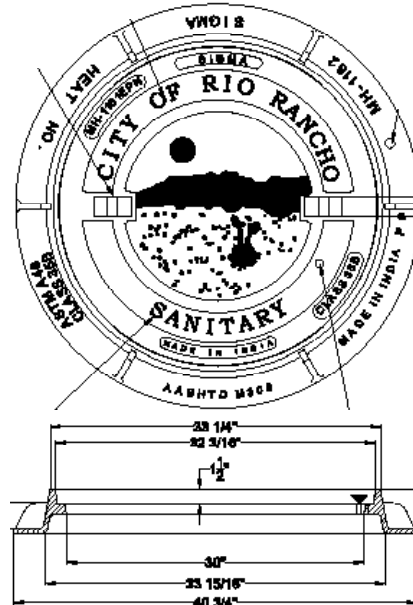
Weight: 296 lbs.

MH115



Weight: 296 lbs.

MH116EPN (City of Rio Rancho)



Weight: 381 lbs.

C A S T I N G S