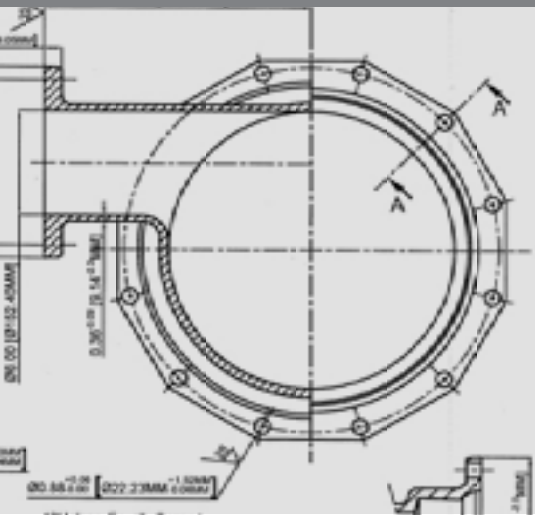




Quality – Service – Commitment – Delivered.

C153 DUCTILE IRON MECHANICAL JOINT FITTINGS



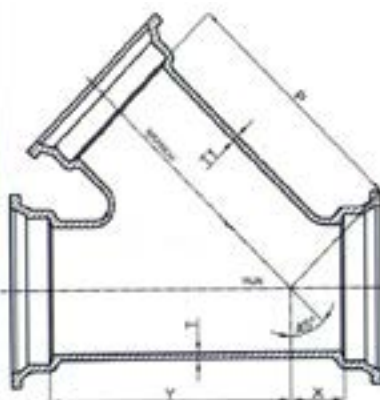
C153 DUCTILE IRON MECHANICAL JOINT FITTINGS BASIC SPECIFICATIONS

- SIZES:**
- 2" - 64"
- MATERIAL:**
- Ductile Iron ASTM A536, Grade 65-45-12, 60-42-10 or 70-50-05.
- PRESSURE:**
- 350 PSI Water Working Pressure 2" - 24".
 - 250 PSI Water Working Pressure 30" - 48".
 - 150 PSI Water Working Pressure 54" - 64".
- TESTING:**
- In accordance with ANSI/AWWA C153/A21.53.
 - In accordance with UL - FM requirements.
 - All fittings are hydrostatically tested in accordance with SIGMA Quality Management Standard.
 - All fittings are heat coded to ensure traceability and verification of metallurgical properties in accordance with the prevailing standards and SIGMA Quality Management Standards.
- LAYING LENGTH:**
- Short body design - straight section of body deleted to provide a compact and lighter fitting without reducing strength or flow characteristics.
- DEFLECTION:**
- In accordance with ANSI/AWWA C153/A21.53.
 - Maximum allowable deflection for MJ Joint on a full length pipe is as mentioned below:
 1. 3" - 4" = 8 Degrees
 2. 6" = 7 Degrees
 3. 8" - 12" = 5 Degrees
 4. 14" - 48" = 3 Degrees
- CEMENT LINING:**
- Double cement lined in accordance with ANSI/AWWA C104 / A21.4.
- COATING:**
- Interior of fitting is seal coated (asphaltic material) in accordance with ANSI AWWA C104/A21.4 and NSF61 approved.
 - Exterior of fitting is seal coated (asphaltic material) in accordance with ANSI/AWWA C153/A21.53 and NSF approved.
- GASKETS:**
- SBR in accordance with ANSI/AWWA C111/A21.11.
 - Also available in EPDM, NBR and CR.
- T-BOLTS:**
- Low Alloy corrosion resistant high strength steel in accordance with ANSI/AWWA C111/A21.11.
- APPROVALS:**
- 3"-16" Underwriters Laboratories listed and Factory Mutual Approved.
- STANDARDS:**
- Certified to NSF61 Standard including Annex G & 372.
 - ANSI/AWWA C153/A21.53 for Compact Ductile Iron Fittings 2"-64" for water and other liquids.
- INSTALLATION:**
- Per ANSI/AWWA C600 and C111 using DIP conforming to C150/C151 and PVC pipe conforming to C900/C905.

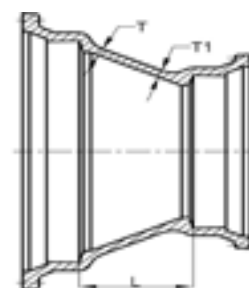
C153 DUCTILE IRON MECHANICAL JOINT FITTINGS

Wyes 45° laterals (continued)

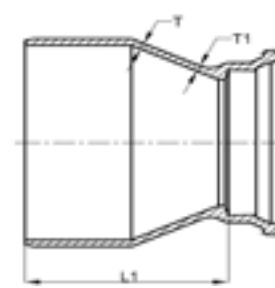
Size		Item No.	X	Y	P	T	T1	Wt.
Run	Branch							
18	14	DMY1814	4.50	30.00	30.00	0.54	0.47	
18	16	DMY1816	4.50	30.00	30.00	0.54	0.50	
18	18	DMY1818	6.50	30.00	30.00	0.54	0.54	
20	6	DMY206	0.00	25.00	27.50	0.57	0.36	
20	8	DMY208	1.50	25.00	27.50	0.57	0.38	
20	10	DMY2010	3.00	28.00	30.00	0.57	0.40	
20	12	DMY2012	6.50	32.00	32.00	0.57	0.42	588
20	14	DMY2014	6.50	32.00	32.00	0.57	0.47	
20	16	DMY2016	6.50	32.00	32.00	0.57	0.50	
20	18	DMY2018	6.50	32.00	32.00	0.57	0.54	
20	20	DMY2020	8.00	33.00	33.00	0.57	0.57	747
24	6	DMY246	0.00	29.50	32.50	0.61	0.36	
24	8	DMY248	0.00	29.50	32.50	0.61	0.38	
24	10	DMY2410	1.50	32.00	34.50	0.61	0.40	
24	12	DMY2412	3.00	32.00	34.50	0.61	0.42	
24	14	DMY2414	4.50	33.00	34.50	0.61	0.47	
24	16	DMY2416	5.50	35.00	35.00	0.61	0.50	
24	18	DMY2418	7.00	36.00	36.00	0.61	0.54	
24	20	DMY2420	9.00	38.50	38.50	0.61	0.57	
24	24	DMY2424	9.00	38.50	38.50	0.61	0.61	1061
30	4	DMY304	2.00	30.00	35.00	0.66	0.34	
30	6	DMY306	4.00	45.00	50.00	0.66	0.36	
30	8	DMY308	4.00	40.00	40.00	0.66	0.38	
30	12	DMY3012	5.00	40.00	44.00	0.66	0.42	
30	14	DMY3014	7.00	42.00	44.00	0.66	0.47	
30	16	DMY3016	7.00	44.00	44.00	0.66	0.50	
30	18	DMY3018	8.00	46.00	46.00	0.66	0.54	
30	20	DMY3020	10.00	47.00	47.00	0.66	0.57	1531
30	24	DMY3024	10.00	47.00	47.00	0.66	0.61	
30	30	DMY3030	10.00	50.00	50.00	0.66	0.66	
36	10	DMY3610	5.00	42.50	46.00	0.74	0.40	1601
36	12	DMY3612	5.00	42.50	46.00	0.74	0.42	
36	14	DMY3614	5.00	42.50	46.00	0.74	0.47	
36	16	DMY3616	5.00	42.50	46.00	0.74	0.50	
36	18	DMY3618	8.00	45.00	48.00	0.74	0.54	
36	20	DMY3620	10.00	48.50	50.00	0.74	0.57	
36	24	DMY3624	12.50	52.00	52.00	0.74	0.61	
36	30	DMY3630	15.00	54.00	54.00	0.74	0.66	
36	36	DMY3636	15.00	57.50	57.50	0.74	0.74	
42	8	DMY428	0.00	48.00	56.00	0.82	0.38	
42	20	DMY4220	8.00	58.00	58.00	0.82	0.57	
42	24	DMY4224	10.00	58.00	58.00	0.82	0.61	
42	30	DMY4230	12.00	60.00	60.00	0.82	0.66	
42	36	DMY4236	12.00	64.00	64.00	0.82	0.74	
42	42	DMY4242	15.00	68.00	68.00	0.82	0.82	
48	6	DMY486	0.00	50.00	58.00	0.90	0.36	
48	8	DMY486	0.00	50.00	58.00	0.90	0.38	
48	16	DMY4816	0.00	52.00	58.00	0.90	0.50	
48	20	DMY4820	0.00	52.00	58.00	0.90	0.57	
48	24	DMY4824	5.00	56.00	62.00	0.90	0.61	
48	30	DMY4830	4.00	57.00	62.00	0.90	0.66	
48	36	DMY4836	5.00	62.00	66.00	0.90	0.74	
48	42	DMY4842	12.00	75.00	75.00	0.90	0.82	
48	48	DMY4848	16.00	75.00	75.00	0.90	0.90	



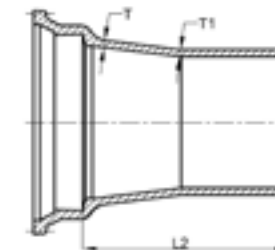
Wyes Lateral 45°



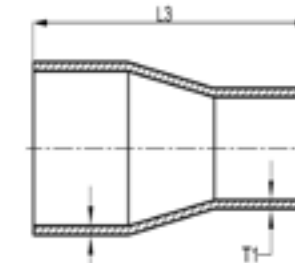
MJ x MJ



PE x MJ (small end MJ)



MJ x PE (large end MJ)



PE x PE

Reducers

Size	MJ x MJ			PE x MJ (Small End MJ)			MJ X PE (Large End MJ)			PE x PE				
	Item No.	Wt.	L	Item No.	Wt.	L1	Item No.	Wt.	L2	Item No.	Wt.	L3	T	T1
3 x 2	DMR32	14	2.50										0.33	0.30
4 x 2	DMR42	16	2.50	SPR42	14	8.00							0.34	0.30
4 x 3	DMR43	18	3.00	SPR43	17	8.50	LPR43	18	8.50	PPR43	14	14.00	0.34	0.33
6 x 3	DMR63	22	5.00	SPR63	24	10.50	LPR63	19	10.50	PPR63	19	16.00	0.36	0.33
6 x 4	DMR64	24	4.00	SPR64	25	9.50	LPR64	25	9.50	PPR64	22	15.00	0.36	0.34
8 x 3	DMR83		5.00										0.38	0.33
8 x 4	DMR84	32	5.00	SPR84	30	10.50	LPR84	34	10.50	PPR84	30	16.00	0.38	0.34
8 x 6	DMR86	36	4.00	SPR86	35	9.50	LPR86	32	9.50	PPR86	30	15.00	0.38	0.36
10 x 4	DMR104	46	7.00	SPR104	43	12.50	LPR104	43	12.50	PPR104	46	18.00	0.40	0.34
10 x 6	DMR106	47	5.00	SPR106	46	10.50	LPR106	42	10.50	PPR106	46	16.00	0.40	0.36
10 x 8	DMR108	50	4.00	SPR108	42	9.50	LPR108	50	9.50	PPR108	47	15.00	0.40	0.38
12 x 4	DMR124	58	9.00	SPR124	60	14.50	LPR124	60	14.50	PPR124	58	20.00	0.42	0.34
12 x 6	DMR126	58	7.00	SPR126	58	12.50	LPR126	58	12.50	PPR126	57	18.00	0.42	0.36
12 x 8	DMR128	57	5.00	SPR128	54	10.50	LPR128	55	10.50	PPR128	54	16.00	0.42	0.38
12 x 10	DMR1210	61	4.00	SPR1210	59	9.50	LPR1210	59	9.50	PPR1210	54	15.00	0.42	0.40
14 x 6	DMR146	100	9.00	SPR146	100	16.90	LPR146	104	14.50	PPR146	93	22.30	0.47	0.36
14 x 8	DMR148	100	7.00	SPR148	98	14.90	LPR148	98	12.40	PPR148	94	20.30	0.47	0.38
14 x 10	DMR1410	100	5.00	SPR1410	94	12.90	LPR1410	92	10.40	PPR1410	90	18.30	0.47	0.40
14 x 12	DMR1412	100	4.00	SPR1412	90	11.90	LPR1412	92	9.40	PPR1412	88	17.30	0.47	0.42
16 x 6	DMR166	124	11.00	SPR166	125	18.90	LPR166	136	16.50	PPR166	93	24.30	0.50	0.36
16 x 8	DMR168	124	9.00	SPR168	121	16.90	LPR168	128	14.40	PPR168	119	22.30	0.50	0.38
16 x 10	DMR1610	124	7.00	SPR1610	105	15.00	LPR1610	123	12.50	PPR1610	119	20.50	0.50	0.40
16 x 12	DMR1612	112	5.00	SPR1612	109	12.90	LPR1612	108	10.50	PPR1612	99	18.30	0.50	0.42
16 x 14	DMR1614	140	4.00	SPR1614	126	12.00	LPR1614	132	12.00	PPR1614	129	19.70	0.50	0.47
18 x 4	DMR184		11.00										0.54	0.34
18 x 6	DMR186	194	13.00										0.54	0.36
18 x 8	DMR188	190	13.00	SPR188	170	20.00	LPR188	195	19.50	PPR188	170	27.40	0.54	0.38
18 x 10	DMR1810	195	10.00	SPR1810	165	18.00	LPR1810	185	17.40	PPR1810	160	25.50	0.54	0.40
18 x 12	DMR1812	180	7.00	SPR1812	150	15.50	LPR1812	175	14.00	PPR1812	150	19.50	0.54	0.42
18 x 14	DMR1814	190	6.00	SPR1814	175	15.00	LPR1814	190	15.00	PPR1814	160	23.00	0.54	0.47
18 x 16	DMR1816	195	5.00	SPR1816	170	12.50	LPR1816	190	12.50	PPR1816	145	18.00	0.54	0.50
20 x 6	DMR206	232	16.00	SPR206	201	22.00	LPR206	231	19.00	PPR206	106	27.50	0.57	0.36
20 x 8	DMR208	227	16.00	SPR208	198	27.00	LPR208	227	19.00	PPR208	106	27.50	0.57	0.38
20 x 10	DMR2010	220	14.00	SPR2010	200	22.00	LPR2010	210	19.00	PPR2010	180	27.50	0.57	0.40
20 x 12	DMR2012	205	12.00	SPR2012	170	17.50	LPR2012	205	16.00	PPR2012	190	21.50	0.57	0.42
20 x 14	DMR2014	200	10.00	SPR2014	190	18.00	LPR2014	205	17.90	PPR2014	195	26.00	0.57	0.47
20 x 16	DMR2016	200	7.00	SPR2016	185	13.50	LPR2016	200	13.50	PPR2016	170	19.00	0.57	0.50
20 x 18	DMR2018	225	4.00	SPR2018	200	12.00	LPR2018	215	12.00	PPR2018	190	20.00	0.57	0.54
24 x 6	DMR246	322	18.00	SPR246	284	21.50	LPR246	320	21.00	PPR246	283	22.50	0.61	0.36
24 x 8	DMR248	318	16.00	SPR248	282	21.50	LPR248	316	21.00	PPR248	281	22.50	0.61	0.38
24 x 10	DMR2410	312	16.00	SPR2410	276	21.50	LPR2410	310	21.00	PPR2410	274	22.50	0.61	0.40
24 x 12	DMR2412	305	16.00	SPR2412	275	21.50	LPR2412	290	21.00	PPR2412	240	22.50	0.61	0.42
24 x 14	DMR2414	310	14.00	SPR2414	310	22.00	LPR2414	315	21.90	PPR2414	295	25.00	0.61	0.47
24 x 16	DMR2416	320	12.00	SPR2416	285	17.50	LPR2416	285	17.50	PPR2416	285	23.00	0.61	0.50
24 x 18	DMR2418	305	10.00	SPR2418	300	18.00	LPR2418	310	18.00	PPR2418	290	21.00	0.61	0.54
24 x 20	DMR2420	300	7.00	SPR2420	270	13.50	LPR2420	275	13.50	PPR2420	240	14.00	0.61	0.57
30 x 12	DMR3012	705	30.00										0.66	0.42

Weights in Pounds, Less Accessories / Dimensions in inches
Ductile Iron Class 350 per ANSI/AWWA C153/A21.53

Weights in Pounds, Less Accessories / Dimensions in inches
Ductile Iron Class 350 per ANSI/AWWA C153/A21.53

