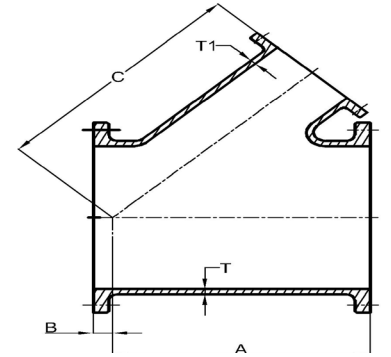


C110 FLANGED FITTINGS

45° LATERAL REDUCING WYES (continued)

Size	Wt.	CAST IRON Item No.	DUCTILE IRON Item No.	A	B	C	T	T1
48 x 14	7,275		DFY4814	65.00	9.00	65.00	1.42	0.66
48 x 16	7,400		DFY4816	65.00	9.00	65.00	1.42	0.70
48 x 18	7,620		DFY4818	65.00	9.00	65.00	1.42	0.75
48 x 20	7,685		DFY4820	65.00	9.00	65.00	1.42	0.80
48 x 24	6,840		DFY4824	58.00	5.00	64.00	1.42	0.89
48 x 30	8,015		DFY4830	63.00	9.00	68.00	1.42	1.03
48 x 36	8,970		DFY4836	69.00	7.00	72.00	1.42	1.15
48 x 42	11,010		DFY4842	77.00	12.00	77.00	1.42	1.28
54 x 36			DFY5436	78.00	12.00	78.00	1.05	0.77
54 x 42			DFY5442	80.00	12.00	80.00	0.90	0.82
60 x 36			DFY6036	80.00	12.00	80.00	0.94	0.66
64 x 36			DFY6436	100.00	10.00	105.00	1.16	0.77

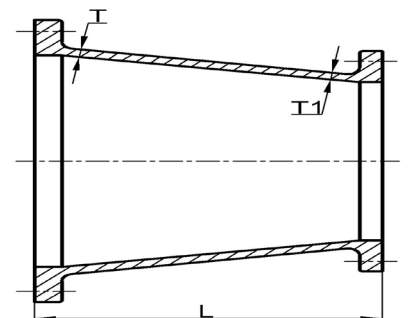


45° Lateral Reducing Wyes

CONCENTRIC REDUCERS

Size	Wt.	CAST IRON Item No.	DUCTILE IRON Item No.	L	T	T1
2 1/2 x 2		CFR252	DFR252	6.00	0.48	0.31
3 x 2	16	CFR32	DFR32	6.00	0.48	0.31
3 x 2 1/2	21	CFR325	DFR325	6.00	0.48	0.31
4 x 2	25	CFR42	DFR42	7.00	0.52	0.31
4 x 2 1/2	28	CFR425	DFR425	7.00	0.52	0.31
4 x 3	30	CFR43	DFR43	7.00	0.52	0.48
6 x 2	35	CFR62	DFR62	9.00	0.55	0.31
6 x 2 1/2	38	CFR625	DFR625	9.00	0.55	0.31
6 x 3	40	CFR63	DFR63	9.00	0.55	0.48
6 x 4	45	CFR64	DFR64	9.00	0.55	0.52
6 x 5	51	CFR65	DFR65	10.00	0.55	0.52
8 x 4	65	CFR84	DFR84	11.00	0.60	0.52
8 x 5	70	CFR85	DFR85	11.00	0.60	0.52
8 x 6	75	CFR86	DFR86	11.00	0.60	0.55
10 x 4	85	CFR104	DFR104	12.00	0.68	0.52
10 x 6	90	CFR106	DFR106	12.00	0.68	0.55
10 x 8	110	CFR108	DFR108	12.00	0.68	0.60
12 x 4	120	CFR124	DFR124	14.00	0.75	0.52
12 x 6	130	CFR126	DFR126	14.00	0.75	0.55
12 x 8	145	CFR128	DFR128	14.00	0.75	0.60
12 x 10	170	CFR1210	DFR1210	14.00	0.75	0.68
14 x 6	155	CFR146	DFR146	16.00	0.66	0.55
14 x 8	175	CFR148	DFR148	16.00	0.66	0.60
14 x 10	190	CFR1410	DFR1410	16.00	0.66	0.68
14 x 12	220	CFR1412	DFR1412	16.00	0.66	0.75
16x6	190	CFR166	DFR166	18.00	0.70	0.55
16 x 8	210	CFR168	DFR168	18.00	0.70	0.60
16 x 10	235	CFR1610	DFR1610	18.00	0.70	0.68
16 x 12	265	CFR1612	DFR1612	18.00	0.70	0.75
16 x 14	280	CFR1614	DFR1614	18.00	0.70	0.66
18 x 6			DFR186	19.00	0.75	0.55
18 x 8	240	CFR188	DFR188	19.00	0.75	0.60
18 x 10	265	CFR1810	DFR1810	19.00	0.75	0.68
18 x 12	295	CFR1812	DFR1812	19.00	0.75	0.75
18 x 14	310	CFR1814	DFR1814	19.00	0.75	0.66
18 x 16	340	CFR1816	DFR1816	19.00	0.75	0.70
20 x 6			DFR206	20.00	0.80	0.55
20 x 8			DFR208	20.00	0.80	0.60
20 x 10	310	CFR2010	DFR2010	20.00	0.80	0.68
20 x 12	345	CFR2012	DFR2012	20.00	0.80	0.75
20 x 14	355	CFR2014	DFR2014	20.00	0.80	0.66
20 x 16	390	CFR2016	DFR2016	20.00	0.80	0.70
20 x 18	410	CFR2018	DFR2018	20.00	0.80	0.75
24 x 6			DFR246	24.00	0.89	0.55
24 x 10			DFR2410	24.00	0.89	0.68
24 x 12	480	CFR2412	DFR2412	24.00	0.89	0.75
24 x 14	490	CFR2414	DFR2414	24.00	0.89	0.66
24 x 16	525	CFR2416	DFR2416	24.00	0.89	0.70

Size	Wt.	CAST IRON Item No.	DUCTILE IRON Item No.	L	T	T1
24 x 18	550	CFR2418	DFR2418	24.00	0.89	0.75
24 x 20	590	CFR2420	DFR2420	24.00	0.89	0.80
30 x 6			DFR306	30.00	1.03	0.55
30 x 16			DFR3016	30.00	1.03	0.70
30 x 18	810	CFR3018	DFR3018	30.00	1.03	0.75
30 x 20	870	CFR3020	DFR3020	30.00	1.03	0.80
30 x 24	970	CFR3024	DFR3024	30.00	1.03	0.89
36 x 14			DFR3614	36.00	1.15	0.66
36 x 16			DFR3616	36.00	1.15	0.70
36 x 18			DFR3618	36.00	1.15	0.75
36 x 20	1,230	CFR3620	DFR3620	36.00	1.15	0.80
36 x 24	1,345	CFR3624	DFR3624	36.00	1.15	0.89
36 x 30	1,555	CFR3630	DFR3630	36.00	1.15	1.03
42 x 24	1,820	CFR4224	DFR4224	42.00	1.28	0.89
42 x 30	2,060	CFR4230	DFR4230	42.00	1.28	1.03
42 x 36	2,345	CFR4236	DFR4236	42.00	1.28	1.15
48 x 14			DFR4814	48.00	1.42	0.66
48 x 24			DFR4824	48.00	1.42	0.89
48 x 30	2,625	CFR4830	DFR4830	48.00	1.42	1.03
48 x 36	2,950	CFR4836	DFR4836	48.00	1.42	1.15
48 x 42	3,320	CFR4842	DFR4842	48.00	1.42	1.28
54 x 36			DFR5436	28.00	0.90	0.66
54 x 48	1,695	CFR5448	DFR5448	18.00	0.90	0.80
60 x 36			DFR6036	32.00	0.94	0.66
60 x 48			DFR6048	32.00	0.94	0.80
60 x 54			DFR6054	15.00	0.94	0.90
72 x 36			DFR7236	40.00	1.40	1.15
72 x 48			DFR7248	40.00	1.40	1.40
72 x 54			DFR7254	40.00	1.40	0.90



Concentric Reducers

Note: Cast Iron fittings available upon request
Weights in Pounds, Less Accessories / Dimensions in inches

