



The **Saniplus** is a **1/2 HP pump system** used to install a complete bathroom up to **15 feet below the sewer line, or even up to 150 feet away** from a soil stack. It incorporates a **macerating system** which can handle human waste and toilet paper in residential applications. The blade is made out of a hardened stainless steel material which **eliminates the need for any service or replacement**.

- **Discharges the waste through a ¾" or 1" rigid pipe. A non-return valve is included** on the discharge elbow assembly provided with the system. This elbow can be rotated 360 degrees depending on the discharge installation.
- Has been designed with a **1½" vent connection** on the top of the lid. All plumbing codes require connection to a vent system. Please note that the vent system should be a two-way air vent as air needs to freely flow both ways. Note: The use of mechanical vents, air admittance valves or similar devices is not permitted.
- Must be connected to **Saniflo's 1.28 GPF rear discharge toilet**. These toilets come in round and elongated (ADA compliant) models. More technical information on page 5.
- Will also discharge gray water from any **sink, bath/shower or urinal**. The wastewater will drain into the system via **two 2" inlets with built-in check valves** on either side of the housing. Note that when adding a bathtub/shower, the base should be raised up by a minimum of 6" off the floor.

TECHNICAL SPECIFICATIONS

Pump type: Macerator
Electrical: 120 V – 60 Hz / 4.5 Amps (Max)
Motor: 0.5 HP oil-filled thermally protected motor
Capacitor rating: 45 microfarad
Operating Temperature: 104°F (110°F Max.)
Power cord length: 47½ inches
Noise level: ≤ 53 dBA (Lp) (measured at 3 ft.)





Discharge pipe diameter: ¾" or 1"

Discharge rate at 15 ft: 17 GPM

Discharge rate at 3 ft: 27 GPM

Shut-off head: 30 ft.

Normal running time: 10-12s

Capacity: 3 gallons

Inlets: 2" (sides), 1½" vent (top)

Method of activation: Membrane/microswitch

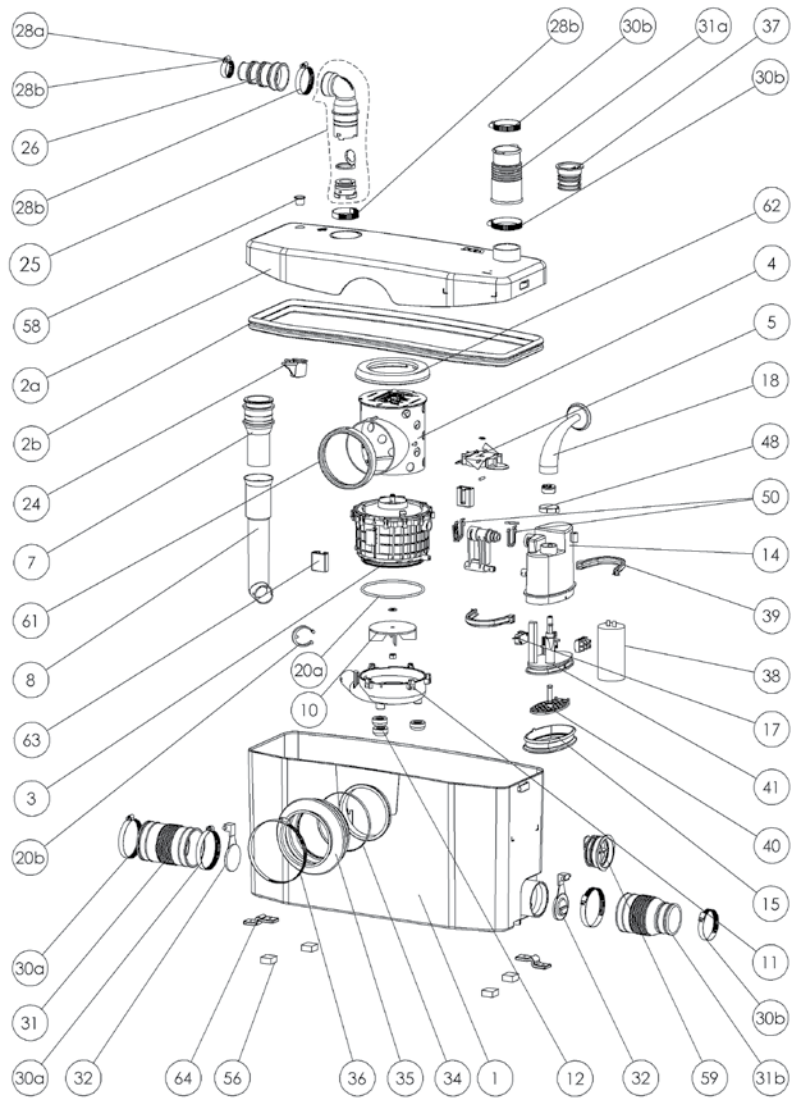
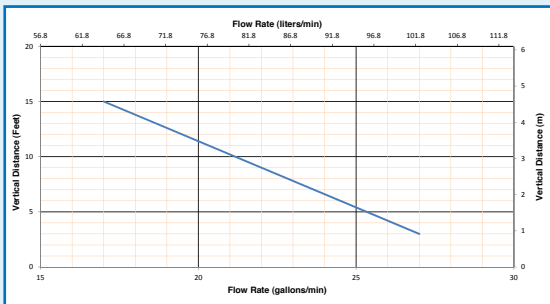
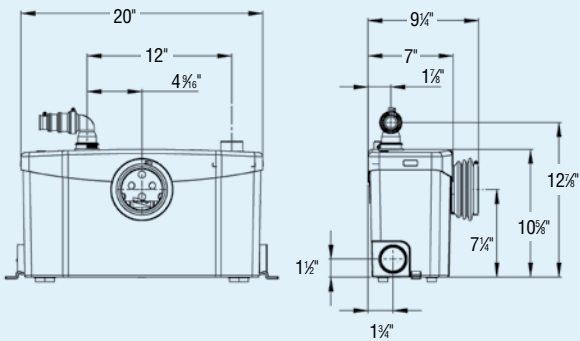
Shower/bathtub base height: 6" min

Weight: 18 lbs.

Certifying agencies: CSA (IPC, NSPC), IAPMO (UPC)

Recommended accessories: Descaler, Sanialarm

Connections: Rear outlet toilet, sink, shower/bathtub



PLEASE CALL US TOLL-FREE AT 800-571-8191 (US) / 800-363-5874 (CDN) TO PURCHASE PARTS REFERENCED ABOVE

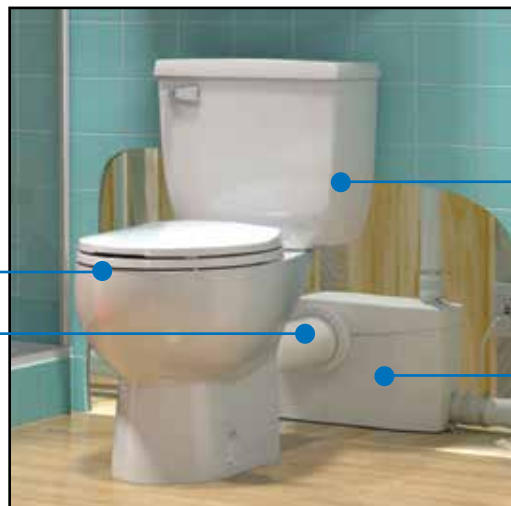
Round/Elongated Bowl (Part No. 083 or 087)

Rear discharge toilet with 16¾" seating height (Elongated bowl is ADA compliant). For more information, please turn to page 5.

Extension Pipe (Part No. 030)

18" long PVC pipe with internal gasket used to hide the pump behind the wall. For more information, please turn to page 48.

SANIPLUS®



Toilet Tank (Part No. 005)

Insulated 1.28 GPF toilet tank equipped with all internal valves. For more information, please turn to page 5.

Saniplus (Part No. 002)

1/2 HP macerating pump for residential applications. Ideal for creating a complete bathroom in a basement, attic, garage, pool house, etc.