



100 Royal Way
 Temple, GA 30179
 Phone (800) 520-6593

SPECIFICATION DATA SHEET

MODEL No. 507
45Deg Slant Top
Insulated Box

Date:12-8-14

DIMENSIONAL DATA

<u>Register</u>	<u>Collar</u>	<u>R4/R6 Insulation</u>		<u>R8 Insulation Actual</u>	
<u>Size</u>	<u>Size</u>	<u>Actual Dimensions</u>		<u>Dimensions</u>	
		<u>AxB</u>	<u>C</u>	<u>AxB</u>	<u>C</u>
8x4	4,5	12x8	8 1/2"	13x9	7 1/4"
10x4	4,5,6	14x8	8 1/2"	15x9	8 1/2"
10x6	5,6,7	14x10	8 1/2"	15x11	8 1/2"
12x4	7	16x8	9"	17x9	8 1/2"
12x6	6,7	16x10	8 1/2"	17x11	8 1/2"
14x4	7,8	18x8	10 1/2"	19x9	12 1/4"
14x6	8	18x10	9"	19x11	9 1/4"

FABRICATION DATA

Material:

ASTM-A653 CS Type B Galvanized Steel,
 G-30 Coating LFQ Chemical Treatment

Gauge: 30GA

Assembly:

Ceiling boot assembled with C-115 2/16" zinc coated steel rivets, has a rectangular opening with a 1" 90 deg outboard flange and 1/2" drywall flange. The collar is 3 1/2" tall roll formed 30GA steel with 1/4" roll formed beading.

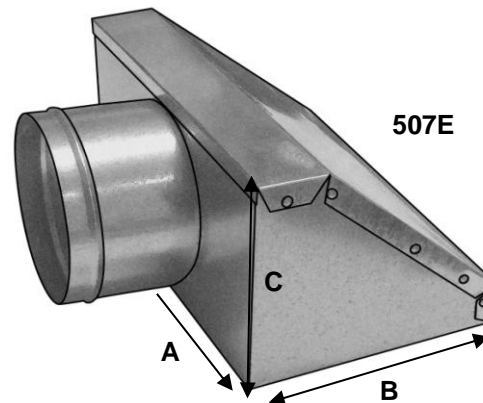
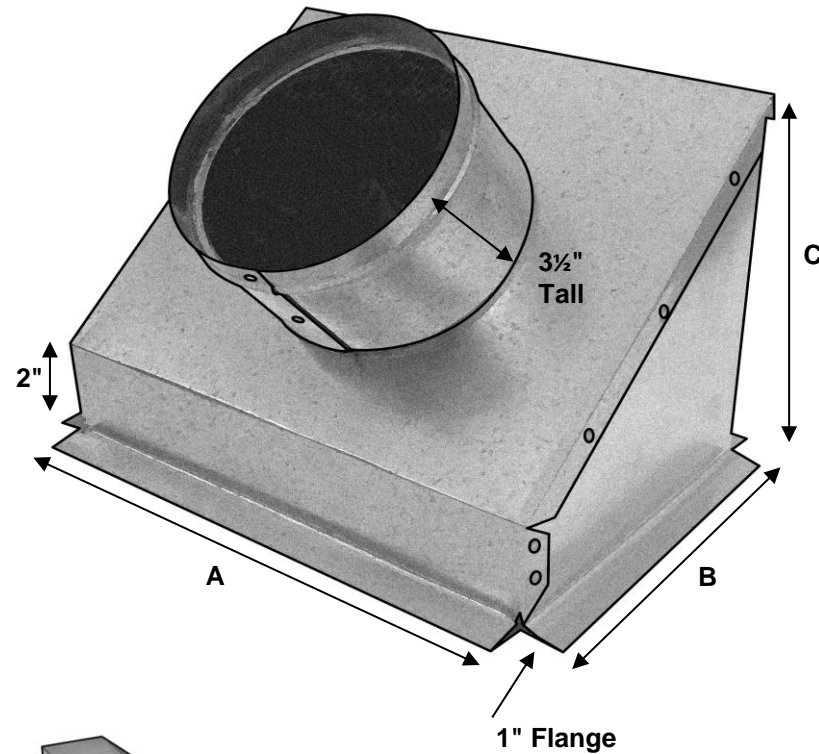
Insulation:

Knauf Equipment Liner M with ECOSE® Technology
 Available Thickness: R4 - 1", R6 - 1 1/2", & R8 - 2"

ASTM C 1071, Type I, Flexible (replaces obsolete Federal Specification HH-I-545B.) NFPA 90A/90B, ASTM C 665/1617
 Temperature Range (ASTM C 411), Microbial Growth (ASTM C1338, G21)

OPTIONS

- 507DB: Duct Board top (*SuperDuct RC top only*)
- 507NF: No Flange
- 507E: End Outlet



Superior Quality, Superior Service, Superior Value.. that's the Royal Advantage