



100 Royal Way
 Temple, GA 30179
 Phone (800) 520-6593

SPECIFICATION DATA SHEET

**MODEL No. 505
 Top Outlet Insulated Box**

Date:12-5-14

DIMENSIONAL DATA:

<u>Register Size</u>	<u>Collar Size</u>	<u>R4 Insulation Actual Dimensions</u>	<u>R6 & R8 Insulation Actual Dimensions</u>
8x4	4,5	10x6	11x7
10x4	4,5,6	12x6	13x7
10x6	4,5,6,7,8	12x8	13x9
12x4	6,7	14x6	15x7
12x6	6,7,8	14x8	15x9
14x6	6,7,8,9	16x8	17x9

FABRICATION DATA:

Material:

ASTM-A653 CS Type B Galvanized Steel,
 G-30 Coating LFQ Chemical Treatment

Gauge: 30GA

Assembly:

Ceiling Boot assembled with C-115 2/16" zinc coated steel rivets, has a rectangular opening with a 1" 90 deg outboard flange and 1/2" drywall flange. The collar is 3-3/2" tall roll formed 30GA steel with 1/4" roll formed beading.

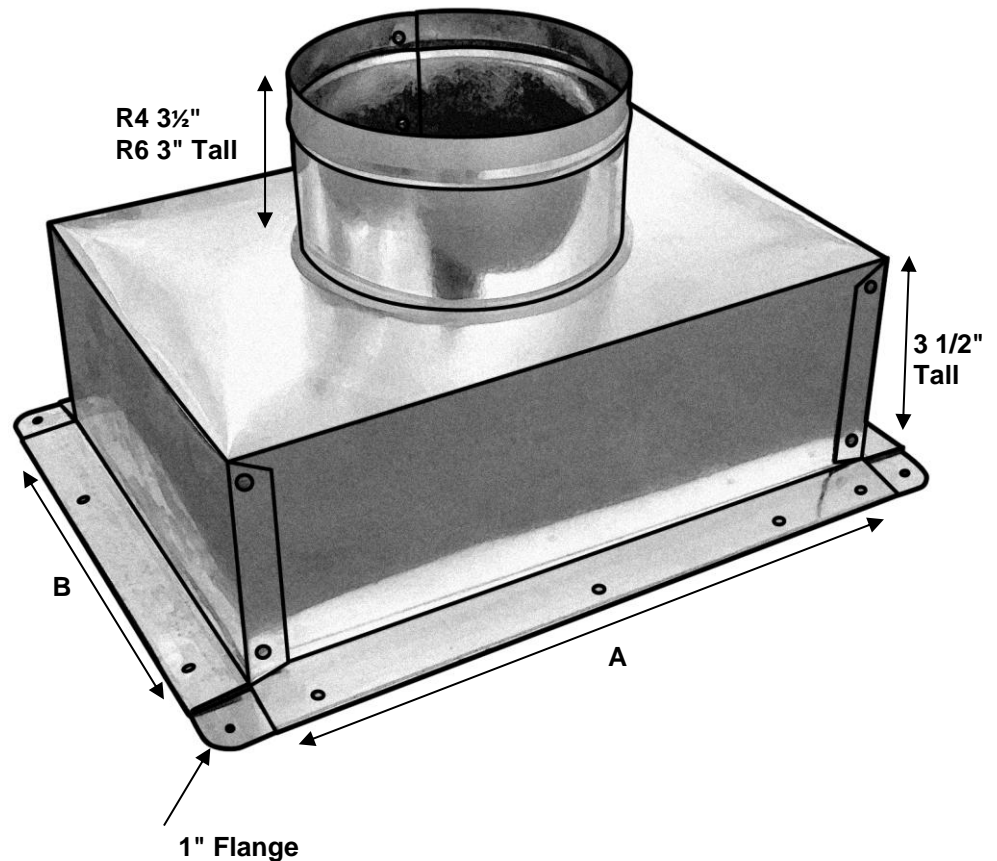
Insulation:

Knauf Equipment Liner M with ECOSE® Technology
 Available Thickness: R4 - 1", R6 - 1 1/2", & R8 - 2"

ASTM C 1071, Type I, Flexible (replaces obsolete Federal Specification HH-I-545B.) NFPA 90A/90B, ASTM C 665/1617
 Temperature Range (ASTM C 411), Microbial Growth(ASTM C1338, G21)

OPTIONS

- 505D: With damper
- 505R6S: R6 Insulation w/ gasket, sealed with mastic
- 505G: With fire retardant polyethylene foam w/double stick
- 3M Tape UL94-HF-1



Superior Quality, Superior Service, Superior Value.. that's the Royal Advantage