



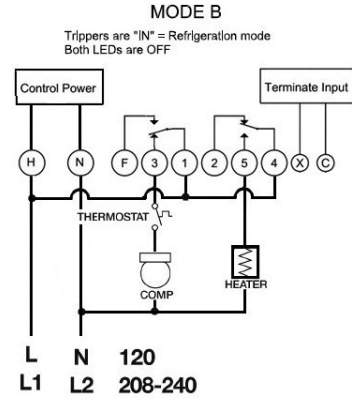
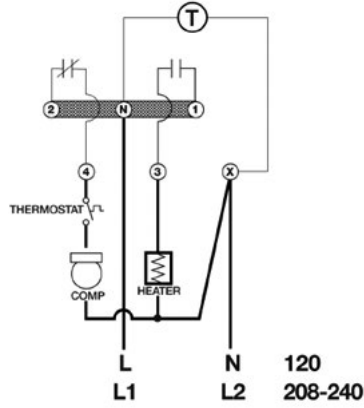
REFRIGERATION

PARAGON

Product Drawings

8045-00 and 8045-20

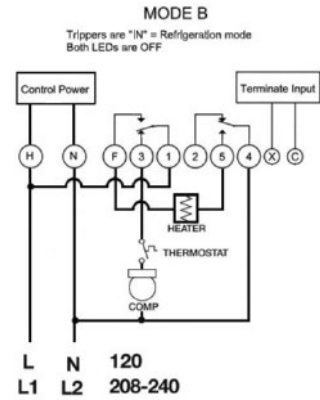
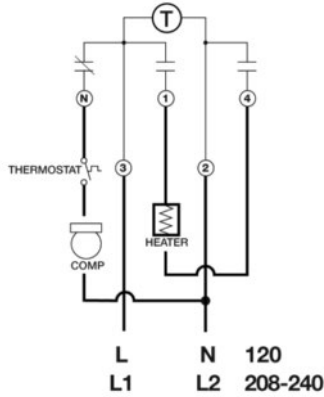
Electric Heat Defrosting



8145-AV	H (L/L1)	N (N/L2)	F	3 COMP	1 (L/L1)	2	5 HEATER	4 (L/L1)	X	C
8045-00	N (L/L1)	X (N/L2)		4	N (L/L1)		3	N (L/L1)		
DTAV40	1-N (L1)	X (L2)		4	1-N (L1)		3	2 (L1)		

8047-00 and 8047-20

Electric Heat Defrosting



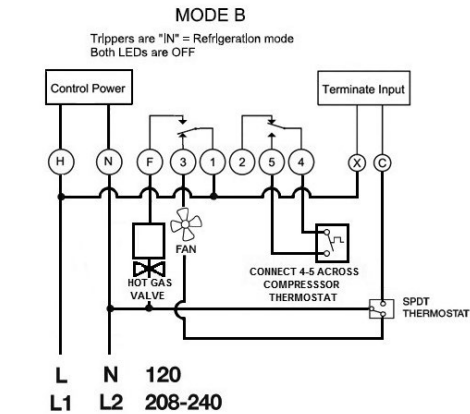
8145-AV	H (L/L1)	N (N/L2)	F	3 COMP	1 (L/L1)	2	5 HEATER	4 (N/L2)	X	C
8047-00	3 (L/L1)	2 (N/L2)	1 HEATER	N COMP	3 (L/L1)		4 HEATER	2 (N/L2)		
DTAV40	3 (L/L1)	2 (N/L2)	1 HEATER	N COMP	3 (L/L1)		4 HEATER	2 (N/L2)		



Product Drawings

8143-00 and 8143-20

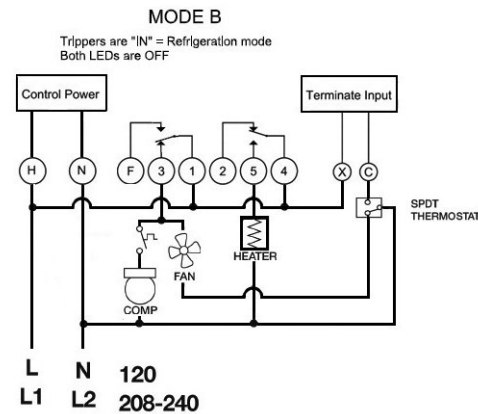
Hot Gas Defrosting (SPDT Thermostat)



8145-AV	H (L/L1)	N (N/L2)	F H GAS	3 FAN	1 (L/L1)	2	5 TSTAT	4 TSTAT	X (L/L1)	C SPDT
DTAV40	3 (L/L1)	X (N/L2)	N H GAS	1 FAN	3 (L/L1)		2 TSTAT	4 TSTAT	3 (L/L1)	INPUT SPDT

8145-00 and 8145-20

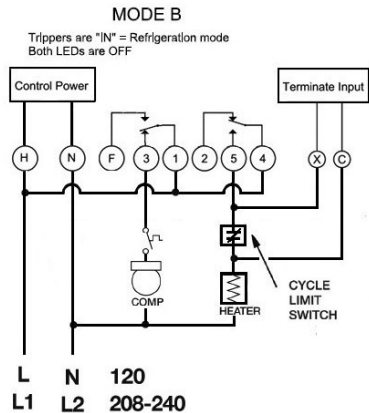
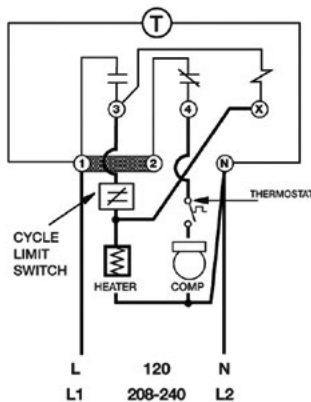
Electric Heat Defrosting (SPDT Thermostat)



8145-AV	H (L/L1)	N (N/L2)	F COMP FAN	3 (L/L1)	1 (L/L1)	2	5 HEAT- ER	4 (L/L1)	X (L/L1)	C SPDT
DTAV40	1 (L/L1)	N (N/L2)	4 COMP FAN	2 (L/L1)	3 HEAT- ER	1 (L/L1)	1 (L/L1)	1 (L/L1)	X SPDT	

8145-00 and 8145-20

Electric Heat Defrosting (Cycle Limit Switch)



8145-AV	H (L/L1)	N (N/L2)	F	3 COMP	1 (L/L1)	2	5 LIMIT	4 (L/L1)	X 5/LIMIT	C HEATER/ LIMIT
8145-00 8145-20	1 (L/L1)	N (N/L2)		4 COMP	1 (L/L1)		3 LIMIT	1 (L/L1)		X HEATER/ LIMIT



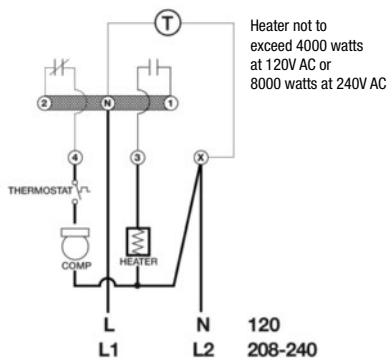
Specifications

Part Numbers	Description	Switch Arrangement Contacts 2-4	Switch Arrangement Contacts 1-3	Switch Arrangement Contacts 3-N	Termination Type	Electrical Rating
8041-00	Electric Heat	Closed	Open	Closed	Time	120V AC 60 Hz
8045-00	Electric Heat, Hot Gas or Compressor Shutdown	Closed	Open	None	Time	120V AC 60 Hz
8045-20	Electric Heat, Hot Gas or Compressor Shutdown	Closed	Open	None	Time	208-240V AC 60 Hz
8045-21	Electric Heat, Hot Gas or Compressor Shutdown	Closed	Open	None	Time	208-240V AC 50 Hz
8141-00	Electric Heat, Hot Gas or Compressor Shutdown	Closed	Open	Closed	Temperature or Pressure	120V AC 60 Hz
8141-20	Electric Heat, Hot Gas or Compressor Shutdown	Closed	Open	Closed	Temperature or Pressure	208-240V AC 60 Hz
8145-00	Electric Heat, Hot Gas or Compressor Shutdown	Closed	Open	None	Temperature or Pressure	120V AC 60 Hz
8145-20	Electric Heat, Hot Gas or Compressor Shutdown	Closed	Open	None	Temperature or Pressure	208-240V AC 60 Hz
8145-20M	Electric Heat, Hot Gas or Compressor Shutdown	Closed	Open	None	Temperature or Pressure	208-240V AC 60 Hz
8145-21	Electric Heat, Hot Gas or Compressor Shutdown	Closed	Open	None	Temperature or Pressure	208-240V AC 50 Hz
8145-20B	Electric Heat, Hot Gas or Compressor Shutdown	Closed	Open	None	Temperature or Pressure	208-240V AC 60 Hz
8245-21	Electric Heat, Hot Gas or Compressor Shutdown	Closed	Open	None	Pressure	208-240V AC 50 Hz
8245-20	Electric Heat, Hot Gas or Compressor Shutdown	Closed	Open	None	Pressure	208-240V AC 60 Hz
D81-8145-00EX (ANZ, EU, MEX, SA)	Electric Heat, Hot Gas or Compressor Shutdown	Closed	Open	None	Temperature or Pressure	120V AC 60 Hz
D81-8145-20EX (ANZ, EU, MEX, SA)	Electric Heat, Hot Gas or Compressor Shutdown	Closed	Open	None	Temperature or Pressure	208-240V AC 60 Hz
D81-8145-21EX (ANZ, EU, MEX, SA)	Electric Heat, Hot Gas or Compressor Shutdown	Closed	Open	None	Temperature or Pressure	208-240V AC 50 Hz

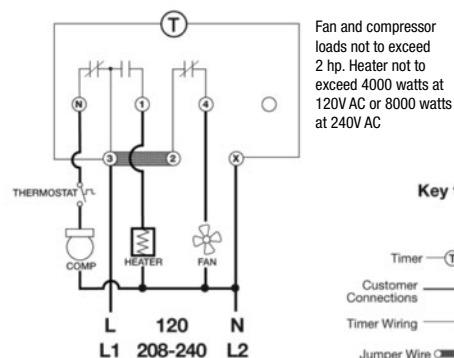
Product Drawings

Electric Heat Defrosting

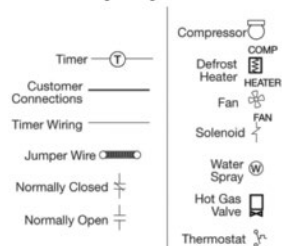
Models 8045-00 and 8045-20 -
Wiring Diagram



Models 8041-00 and 8041-20 -
Wiring Diagram



Key to Symbols



1 Year
Limited
Warranty