



PACKAGE HEAT PUMP UNITS

FORM NO. P11-773 REV. 4
Supersedes Form No. P11-773 Rev. 3

Featuring Industry Standard R-410A Refrigerant

R-410A

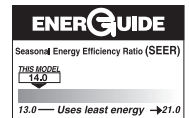
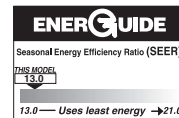
RJNL- 13 SEER HIGH EFFICIENCY SERIES NOMINAL SIZES 3-5 TONS [10.6-17.6 kW]

RJNL- 11 EER HIGH EFFICIENCY SERIES NOMINAL SIZES 6 TONS [21.1 kW]

RJPL- 14 SEER HIGH EFFICIENCY SERIES NOMINAL SIZES 3-5 TONS [10.6-17.6 kW]



*Unit shown with optional louver panels installed.



(14 SEER MODELS ONLY)

208-240 VOLT, THREE PHASE, 60 HZ, AUXILIARY ELECTRIC HEATER KITS CHARACTERISTICS AND APPLICATION

208-240 VOLT, THREE PHASE, 60 HZ, AUXILIARY ELECTRIC HEATER KITS CHARACTERISTICS AND APPLICATION												
Single Power Supply For Both Unit and Heater Kit								Separate Power Supply For Both Unit and Heater Kit				
Model No. RJNL-	RXJJ-Heater Kit Nominal kW	Rated Heater kW @ 208-240 V	Heater KBTU/Hr @ 208-240 V	Heater Amp. @ 208-240 V	Unit Min. Ckt. Ampacity @ 208-240 V	Over Current Protective Device Size		Heater Kit Min. Ckt. Ampacity	Heater Kit Max. Fuse Size	Heat Pump Min. Ckt. Ampacity 208-240 V	Heat Pump Over Current Protective Device Size	
						Min./Max. @ 208 V	Min./Max. @ 240 V				Min./Max. @ 208 V	Min./Max. @ 240 V
A036JK	No Heat	—	—	—	27/27	35/40	35/40	—	—	27/27	35/40	35/40
	A06J+	4.2/5.6	14.33/19.10	20.2/23.3	52/56	60/60	60/60	26/30	30/30	—	—	—
	A10J+	7.2/9.6	24.56/32.75	34.7/40.0	70/77	70/70	80/80	44/50	45/50	—	—	—
	*A11J+	7.2/9.6	24.56/32.75	34.7/40.0	70/77	70/70	80/80	44/50	45/50	—	—	—
	A12J+	8.4/11.2	28.66/38.21	40.4/46.7	77/85	80/80	90/90	51/59	60/60	—	—	—
	A15J+	10.8/14.4	36.84/49.13	52.0/60.0	92/102	100/100	110/110	65/75	70/80	—	—	—
	A20J+	14.4/19.2	49.13/65.51	69.3/80.0	113/127	125/125	150/150	87/100	90/100	—	—	—
	*A21J+	14.4/19.2	49.13/65.51	69.3/80.0	113/127	125/125	150/150	87/100	90/100	—	—	—
A042JK	No Heat	—	—	—	28/28	35/45	35/45	—	—	28/28	35/45	35/45
	A06J+	4.2/5.6	14.33/19.10	20.2/23.3	54/58	60/60	60/60	26/30	30/30	—	—	—
	A10J	7.2/9.6	24.56/32.75	34.7/40.0	72/78	80/80	80/80	44/50	45/50	—	—	—
	*A11J+	7.2/9.6	24.56/32.75	34.7/40.0	72/78	80/80	80/80	44/50	45/50	—	—	—
	A12J+	8.4/11.2	28.66/38.21	40.4/46.7	79/87	80/80	90/90	51/59	60/60	—	—	—
	A15J	10.8/14.4	36.84/49.13	52.0/60.0	93/103	100/100	110/110	65/75	70/80	—	—	—
	A20J+	14.4/19.2	49.13/65.51	69.3/80.0	115/128	125/125	150/150	87/100	90/100	—	—	—
	*A21J+	14.4/19.2	49.13/65.51	69.3/80.0	115/128	125/125	150/150	87/100	90/100	—	—	—
A048JK	No Heat	—	—	—	33/33	40/50	40/50	—	—	33/33	40/50	40/50
	A06J+	4.2/5.6	14.33/19.10	20.2/23.3	58/62	60/70	70/70	26/30	30/30	—	—	—
	A10J+	7.2/9.6	24.56/32.75	34.7/40.0	77/83	80/80	90/90	44/50	45/50	—	—	—
	*A11J+	7.2/9.6	24.56/32.75	34.7/40.0	77/83	80/80	90/90	44/50	45/50	—	—	—
	A12J+	8.4/11.2	28.66/38.21	40.4/46.7	84/92	90/90	100/100	51/59	60/60	—	—	—
	A15J	10.8/14.4	36.84/49.13	52.0/60.0	98/108	100/100	110/110	65/75	70/80	—	—	—
	A20J	14.4/19.2	49.13/65.51	69.3/80.0	120/133	125/125	150/150	87/100	90/100	—	—	—
	*A21J+	14.4/19.2	49.13/65.51	69.3/80.0	120/133	125/125	150/150	87/100	90/100	—	—	—
A060JK	No Heat	—	—	—	39/39	45/60	45/60	—	—	39/39	45/60	45/60
	A06J+	4.2/5.6	14.33/19.10	20.2/23.3	64/68	70/80	70/80	26/30	30/30	—	—	—
	A10J+	7.2/9.6	24.56/32.75	34.7/40.0	82/89	90/90	90/100	44/50	45/50	—	—	—
	*A11J+	7.2/9.6	24.56/32.75	34.7/40.0	82/89	90/90	90/100	44/50	45/50	—	—	—
	A12J+	8.4/11.2	28.66/38.21	40.4/46.7	89/97	90/100	100/110	51/59	60/60	—	—	—
	A15J	10.8/14.4	36.84/49.13	52.0/60.0	104/114	110/110	125/125	65/75	70/80	—	—	—
	A20J	14.4/19.2	49.13/65.51	69.3/80.0	125/139	125/125	150/150	87/100	90/100	—	—	—
	*A21J+	14.4/19.2	49.13/65.51	69.3/80.0	125/139	125/125	150/150	87/100	90/100	—	—	—

+ Field Installed Only

* = For Canadian Use Only. Uses "P" Fuses for Inductive Circuit.



Roofcurb Adapters

Old Models

MEDIUM CABINET (3 TON [11 kW])

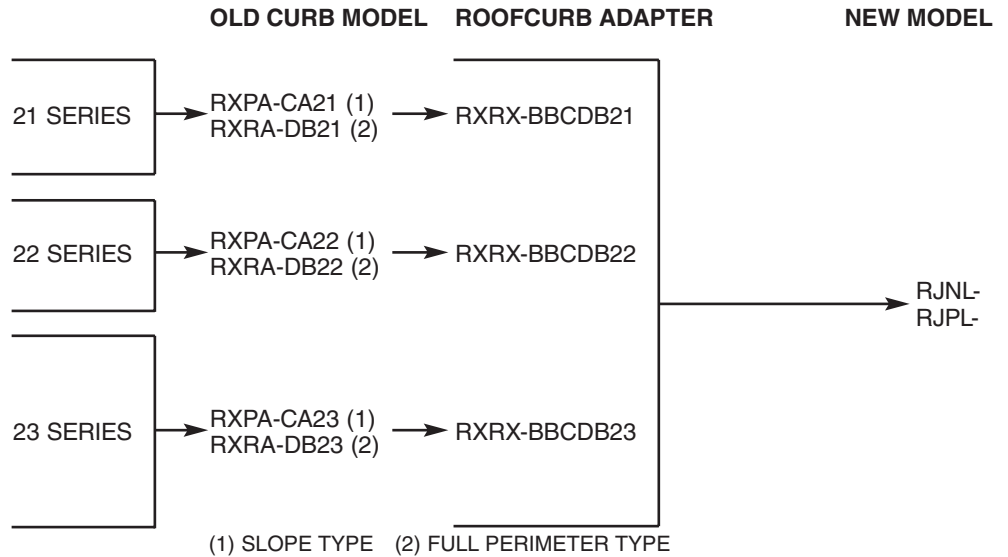
(-)SNC, (-)SND, (-)SNE
 (-)RGE, (-)RGF, (-)RGG
 (-)PNC, (-)PND

LARGE CABINET (3-3.5 TON [11-12 kW])

(-)RGE, (-)RGF, (-)RGG,
 (-)RGH (3 TON [11 kW])

EXTRA LARGE CABINET (3.5-5 TON [12-18 kW])

(-)SNC, (-)SND, (-)SNE
 (-)RGE, (-)RGF,
 (-)RGG (4-5 TON [14-18 kW])
 (-)PNC, (-)PND, (-)RGH
 (3.5, 4 TON [12-14 kW])



Field Installed Resistance Heater Kits

Electric Heater Kits are designed for field installation using either single-point power wiring or dual circuit wiring. Low voltage plugs are provided to allow for quick connection to the unit. Removing a block-off panel on the unit allows the heater elements to be inserted into the supply air stream from the indoor coil and supply air blower.

[] Designates Metric Conversions

Model Number Identifier:

