

ACCESSORY EQUIPMENT

Accessory Description	Model Application	Accessory Model No.	Factory Installed
Thermostats	RKKK-B072	See Thermostat Specification Sheet (T22-001)	No
Roofcurb, 14"	RKKK-B072	RXKG-CAD14	No
Roofcurb, 24"	RKKK-B072	RXKG-CAD24	No
Roofcurb adapters	RKKK-B072	RXX-CCCE50	No
Economizer, with single enthalpy ②	RKKK-B072	AXRD-01RCCAM3	Yes
Economizer, with smoke detector ②	RKKK-B072	AXRD-01RCCBM3	Yes
Dual enthalpy kit for economizer	RKKK-B072	RXX-AV04	No
CO ² sensor	RKKK-B072	RXX-AR02	No
Power exhaust (C, D, Y voltages)	RKKK-B072	AXRX-BGF03	No
Fresh air damper, manual	RKKK-B072	AXRF-FCA1	No
Fresh air damper, motorized	RKKK-B072	AXRF-FCB1	No
Rectangular-to-round 20" duct adapters for concentric diffuser	RKKK-B072	RXMC-CC04	No
Concentric diffuser 20", step type	RKKK-B072	RXRN-FA65	No
Concentric diffuser 20", flush type	RKKK-B072	RXRN-FA75	No
Louver kit, 3-sided	RKKK-B072	AXRX-AAD01B	Yes
Compressor time delay	RKKK-B072	RXMD-B04	No
Low ambient control	RKKK-B072	RXX-A04	Yes
Convenience outlet (requires separate power supply)	RKKK-B072	RXX-AN02	Yes
Service disconnect switch	RKKK-B072	RXX-AP01	Yes
LP conversion kit for White Rodgers gas valve (see note 1)	RKKK-B072	RXGJ-EP84W	No
LP conversion kit for Honeywell gas valve (see note 1)	RKKK-B072	RXGJ-EP85H	No
Freeze stat control	RKKK-B072	RXX-AM01	Yes
Canadian high-altitude kit for natural gas only (see note 1)	RKKK-B072	RXX-AH01	No

*Voltage C = 208/230 VAC-3PH-60HZ D = 460 VAC-3PH-60HZ
Y = 575 VAC-3PH-60HZ

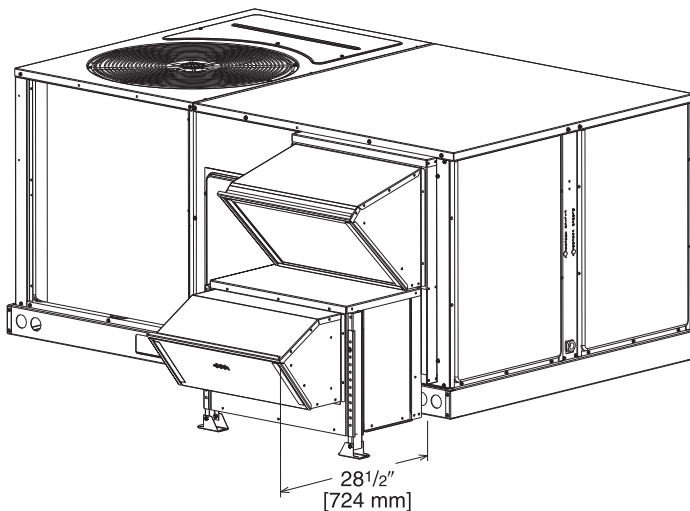
- NOTES:** 1. If a unit is to be converted to operate on LP gas above 2000 ft. in Canada, the conversion kits contain the necessary orifices and instructions to de-rate the input for 2000-4500 ft.
2. Economizer is designed for downflow or horizontal applications.

[] Designates Metric Conversions

INTEGRAL POWER EXHAUST FOR ECONOMIZER (FIELD INSTALLED ONLY)

- AXRX-BGF03C**—RKKN-B 6 Ton [21.1 kW]
Models 208-230 V, 1 PH, 60 Hz
- AXRX-BGF03D**—RKKN-B 6 Ton [21.1 kW]
Models 460 V, 3 PH, 60 Hz
- AXRX-BGF03Y**—RKKN-B 6 Ton [21.1 kW]
Models 575 V, 3 PH, 60 Hz

- For **Honeywell** economizer.
- Downflow or horizontal applications.
- Requires separate 208-230 volt – 1 PH power supply with disconnect or requires separate 460V – 3 PH power supply with disconnect.
- Adjustable switch on economizer, factory preset to energize power exhaust at 95% outside air position.
- Polarized plug connects power exhaust relay to economizer.



POWER EXHAUST KIT FOR AXRD-01RCCAM3 & AXRD-01CCBM3 ECONOMIZERS

Model No.	No. of Fans	Volts	Phase	Watts (ea.)	High Speed		FLA (ea.)	LRA (ea.)
					CFM ①	RPM		
AXRX-BGF03C	1	208/230	1	1000	2500	1725	4.4	23.7
AXRX-BGF03D	1	460	1	800	2370	1620	1.8	4.1
AXRX-BGF03Y ②	1	575	1	800	2370	1620	1.5	3.3

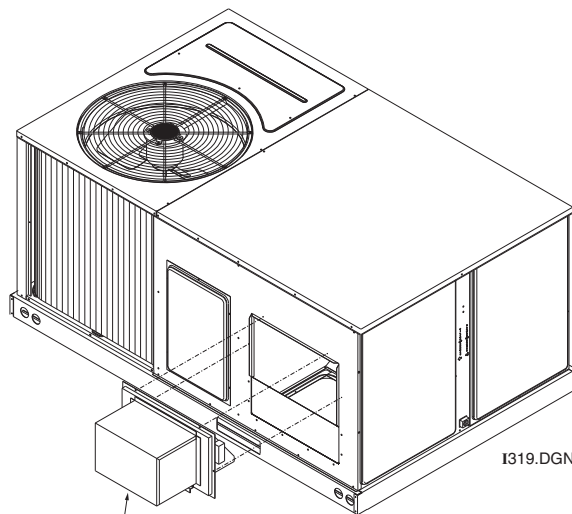
① CFM is at 0" W.C. external static pressure.

② Unit includes 575 to 460 Volt step-down transformer.

FRESH AIR DAMPER

- RKKN-B 6 Ton [21.1 kW] Models**
- AXRF-FCA1 (Manual)
- AXRF-FCB1 (Motorized)

[] Designates Metric Conversions



FRESH AIR DAMPER

I319.DGN