

RESIDENTIAL Preferred Parts®

The premium line of approved replacement parts.



Plumber's Pack



Gas Thermostats:

- Designed to sense the water temperature inside the tank, and control on/off function of the main burner assembly



Electric Thermostats:

- Temperature range of 100° F to 150° F
- Models are available for upper and lower heating elements on double element 240V and single element 120V water heaters

* Electric thermostats may be ordered in bulk. Box consists of 50 thermostats of the same part number. Bulk pricing is less than the single price. Please call for pricing.

Preferred Parts Plumber's Pack

The plumber's pack is an all-inclusive "tune-up" kit for electric water heaters featuring the most popular replacement parts on the market.

Plumber's Pack Kit - includes two resistered 4500 watt screw-in copper heating elements, two heating element gaskets, and upper & lower thermostats (all of which are factory preferred replacement quality)
SP20060 (single)

Gas Thermostats

- **Robertshaw LP Gas Thermostat** - (57-160 degrees) control valve with left hand main burner outlet threads with 1 1/4" shank - single use high limit (200 degrees) - 1/2" inlet & outlet
SP12258B (single) 1.25" Shank
SP12258N (single) 2.375" Shank
- **Robertshaw Convertible Natural and LP Gas Thermostat** - (150 degree max) for Manufactured Housing with 1 1/4" shank - single use high limit (195 degree)
SP9051B (single) 1.25" Shank
SP9051D (single) 2.25" Shank
- **Natural Gas Thermostat** - (57-160 degrees) control valve with 1 1/4" shank - single use high limit (200 degrees) - 1/2" inlet & outlet
SP20164
- **WR Natural Gas Thermostat** - (57-160 degrees) control valve with 2 7/8" shank - single use high limit (200 degrees) - 1/2" inlet & outlet
SP20264 (single)

Electric Thermostats*

- **Therm-O-Disc Upper Thermostat** (max 150 degree) & High Limit (170 degree) - Two element non-simultaneous 208, 240, 277, 480 volt
SP11698 (single)
- **Therm-O-Disc Upper Thermostat** (max 150 degree) & High Limit (170 degree) - Two element simultaneous 208, 240, 277, 480 volt
SP11699 (single)
- **Therm-O-Disc Upper Thermostat** (max 150 degree) & High Limit (170 degree) - Single element 120 volt
SP11700 (single)
- **Therm-O-Disc Lower Thermostat** (max 150 degrees) simultaneous and non-simultaneous 208,240,277,480 volt
SP11695 (single)

Electric Thermostat Covers

- **Upper Thermostat Cover**
AP8313-9 (single)
- **Lower Thermostat Cover**
AP8314-9 (single)



Preferred Parts™ Electric Thermostat Covers

Manufactured Housing Only

LP Conversion Kits

- **AS38849-1** 30-40 Gal DV
- **AS38903-1** 50 Gal DV
- **AS40716-2** 30-40 Gal Tall

WR Controls

- **AP15162-C** 30, 40, 50 Gal DV
- **AP15162A** 30-40 Gal Tall

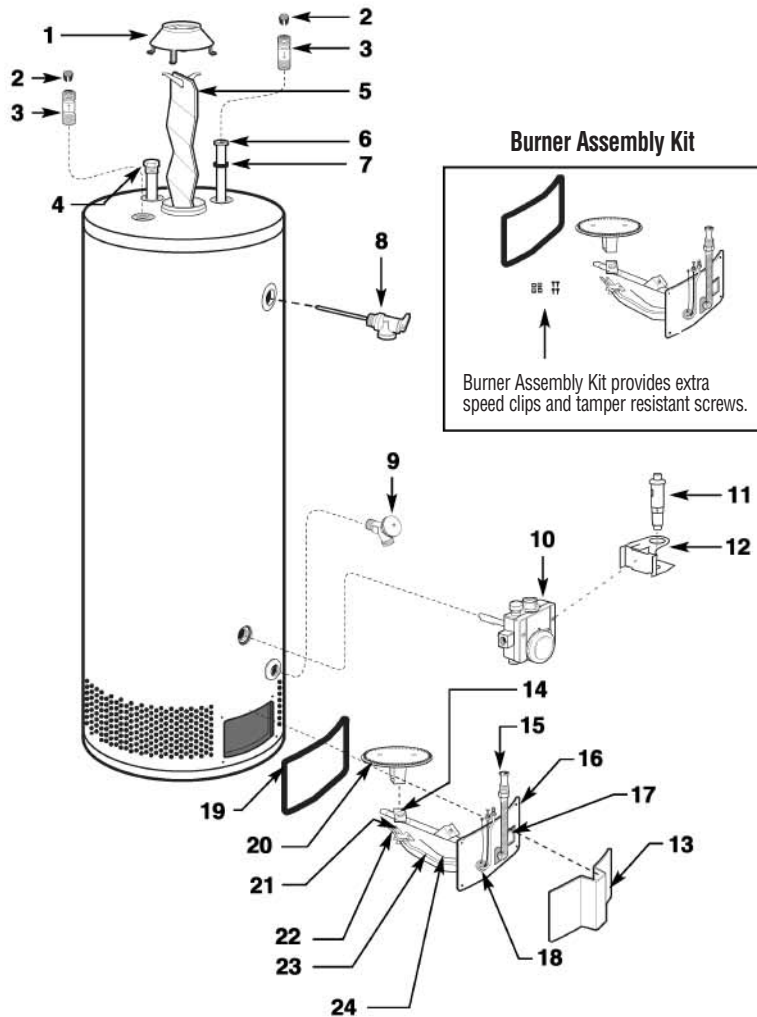
High Wind Cap

- **SP13068**

To place your order call 1-800-621-5622; fax 1-800-535-9538

Residential Replacement Parts List

30, 40 AND 50 GALLON FVIR MODELS (Flammable Vapor Ignition Resistant System) NATURAL OR LP GAS



To place orders call
1-800-621-5622

All parts orders should include:

1. The model and serial number of the water heater from the rating plate.
2. Specify type of gas (natural or LP) as marked on the rating plate.
3. Part description (as noted below) and number of parts desired.

Ref. No.	Part Description	Qty. Req.
1.	Draft Hood	1
2.	Heat Traps	1
3.	Lined Nipples	1
4.	Anode Rod	1
5.	Flue Baffle & Hanger	1
6.	Dip Tube	1
7.	Dip Tube Gasket	1
8.	T&P Relief Valve	1
9.	Drain Valve	1
10.	Gas Control (thermostat)	1
11.	Piezo Ignition Ignitor	1
12.	Mounting Bracket	1
13.	Jacket Door	1
14.	Burner Orifice	1
15.	Burner Supply Tube	
16.	Burner Access Door	
17.	Sight Glass	
18.	Burner Access Door Grommet	
19.	Burner Access Door Gasket	
20.	Burner	
21.	Pilot Burner and Piezo Electrode	
22.	Thermocouple	
23.	Pilot Supply Tube	
24.	Piezo Ignitor Wire	

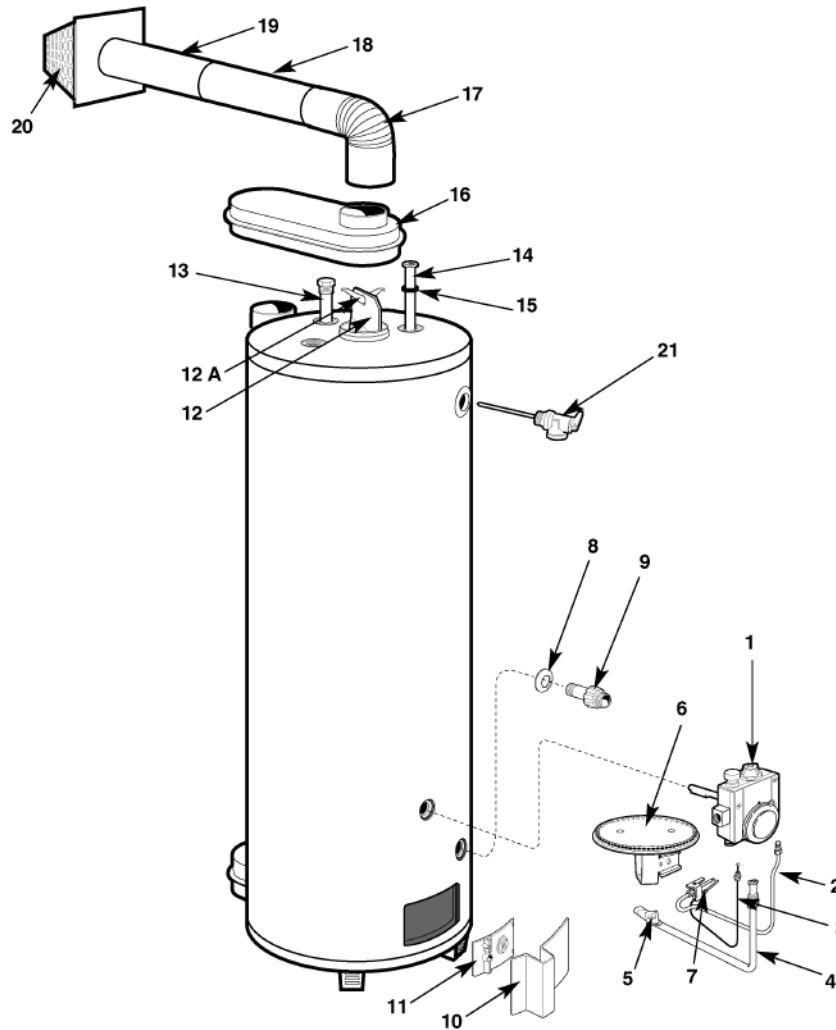
Units manufactured between July, 2003 – December, 2003

Ref. No.	Part Description	Qty. Req.	Part Number			
			30 gallon models	40 gallon models	50 gallon models	
1.	Draft Hood	1	AM36352-H	AM36352-H	AM36352-H	
2.	Heat Traps	1	SP20003	N/A	N/A	
3.	Lined Nipples	1	N/A	SP11623B (VR models only)	SP11623B (VR models only)	
4.	Anode Rod	1	SP11309C	SP11309C	SP11309C	
5.	Flue Baffle & Hanger	1	Call for Application	Call for Application	Call for Application	
6.	Dip Tube	1	AP11625G-1	AP11625F-1	AP11625P	
7.	Dip Tube Gasket	1	AP6948-3	AP6948-3	AP6948-3	
8.	T&P Relief Valve	1	SP12574	SP12574	SP12574	
9.	Drain Valve	1	SP12112E	SP12112E	SP12159B	
10.	Gas Control (thermostat)	1	SP20164	SP12258B (LP)	SP12258B (LP)	
11.	Piezo Ignition Ignitor	1	AP11941	AP11941	AP11941	
12.	Mounting Bracket	1	AP12384	AP12384	AP12384	
13.	Jacket Door	1	AS39789-2C	AS39789-2C	AS39789-2C	
	Burner Kit	1	Call for Application	Call for Application	Call for Application	
	Gasket Kit	1	SP20063	SP20063	SP20063	
	Thermocouple Kit	1	SP20064	SP20064	SP20064	

To place your order call 1-800-621-5622; fax 1-800-535-9538

Residential Replacement Parts List

DIRECT VENT (NON-FVIR) MODELS: NATURAL GAS ONLY



Ref. No.	Part Description	Qty. Req.	21DV Model Part Number	22DV Model Part Number	
1.	Thermostat	1	SP20164	SP20264	
2.	Pilot Supply Tube	1	N/A	N/A	
3.	Thermocouple	1	SP6379R	SP6379R	
4.	Burner Supply Tube	1 Burner Assembly	AM35651DY	AM40497EY	
5.	Burner Orifice				
6.	Burner				
7.	Pilot Burner	1	SP8980B	SP12380B	
8.	Drain Valve Shroud	1	AP9167	AP9167	
9.	Drain Valve	1	SP12039	AP12159C-1	
10.	Jacket Door	1	AM35622	AM35622	
11.	Inner Door	1	AM38692	AM40615	
12.	Flue Baffle	1 Assembly	AE35629D-2	AE35629D-2	
12A.	Flue Baffle Hanger				
13.	Anode Rod	1	SP11309C	SP11309C	
14.	Dip Tube	1	SP11248R	AP11251H-2	
15.	Dip Tube Gasket	1	AP6948-1	AP6948-1	
16.	Upper Air Inlet Box	1	AM35613-H	AM40290-H	
17.	Air Tube Elbow	1	AP10197-1	AP10197-1	
18.	Sliding Air Tube	1	AP11126B-1	AP11126B-1	
19.	Main Air Tube	1	AP11126C-1	AP11126C-1	
20.	Vent Terminal Cap	1	AP11498	AP11498	
21.	T&P Relief Valve	1	SP12574	SP8346	

To place your order call 1-800-621-5622; fax 1-800-535-9538