



ACCESSORY EQUIPMENT

Accessory Description	Model Application 3 to 5 Ton [10.6 to 17.6 kW]	Accessory Model No. 3 to 5 Ton [10.6 to 17.6 kW]	Factory Installed 3 to 5 Ton [10.6 to 17.6 kW]
Thermostats	RKNL/RKPL-C	See Thermostat Specification Sheet (T11-001)	No
Roofcurb 14"	RKNL/RKPL-C	RXKG-CAD14	No
Roofcurb 24"	RKNL/RKPL-C	RXKG-CAD24	No
Roofcurb Adapters	RKNL/RKPL-C	RXRX-BBCDB21 RXRX-BBCDB22 RXRX-BBCDB23	No
Economizer with Single Enthalpy ②	RKNL/RKPL-C	AXRD-TKCM3	Yes
Economizer with Smoke Detector ②	RKNL/RKPL-C	AXRD-UKCM3	Yes
Non-powered Convenience Outlet	RKNL/RKPL-C	RXRX-AN02	Yes
Service disconnect	RKNL/RKPL-C	RXRX-AP02	Yes
Dual Enthalpy Kit	RKNL/RKPL-C	RXRX-AV03	No
CO ₂ Sensor Only	RKNL/RKPL-C	RXRX-AR02	No
Power Exhaust	RKNL/RKPL-C	AXRX-BGF04C, D, Y	No
Fresh Air Damper Manual	RKNL/RKPL-C	AXRF-FBA1	No
Fresh Air Damper Motorized	RKNL/RKPL-C	AXRF-FBB1	No
Rectangular to Round 18" Duct Adapters for Concentric Diffuser	RKNL/RKPL-C	RXMC-CB03	No
Rectangular to Round 20" Duct Adapters for Concentric Diffuser	RKNL/RKPL-C	RXMC-CB04	No
Concentric Diffuser 18" Step	RKNL/RKPL-C	RXRN-FA60, RXRN-FA65	No
Concentric Diffuser 18" Flush	RKNL/RKPL-C	RXRN-FA70, RXRN-FA75	No
Rectangular to Round 16" Side	RKNL/RKPL-C	RXMC-BB01	No
Louver Kit (3 Sides)	All RKNL/RKPL-C Models	AXRX-AAD01B	Yes
Low Ambient Control to 0°F [-18°C]	RKNL/RKPL-C	RXRZ-A04	Yes
LP Conversion Kits for use with White Rodgers Gas Valve ①	RKNL/RKPL-C	RXGJ-EP84W	No
LP Conversion Kits for use with Honeywell Gas Valve ①	RKNL/RKPL-C	RXGJ-EP85H	No
Canadian High Altitude Kit (for Natural Gas Only) ①	RKNL/RKPL-C	RXRX-AH01	No
Comfort Alert (1 Per Compressor)	RKNL/RKPL-C	RXRX-AZ01	Yes
BACnet Communication Card	RKNL/RKPL-C	RXRX-AY01	No
LonWorks Communication Card	RKNL/RKPL-C	RXRX-AY02	No

*Voltage C = 208/230 VAC-3PH-60HZ D = 460 VAC-3PH-60HZ

NOTES: ① If a particular unit is to be converted to operate on **LP (propane)** for elevations above 2000 ft. in Canada, the existing Natural Gas to LP Conversion Kits for the subject models already contain the necessary orifices and instructions to de-rate the input for 2000-4500 ft. Canadian applications.

② Economizer is designed for downflow or horizontal applications.

[] Designates Metric Conversions



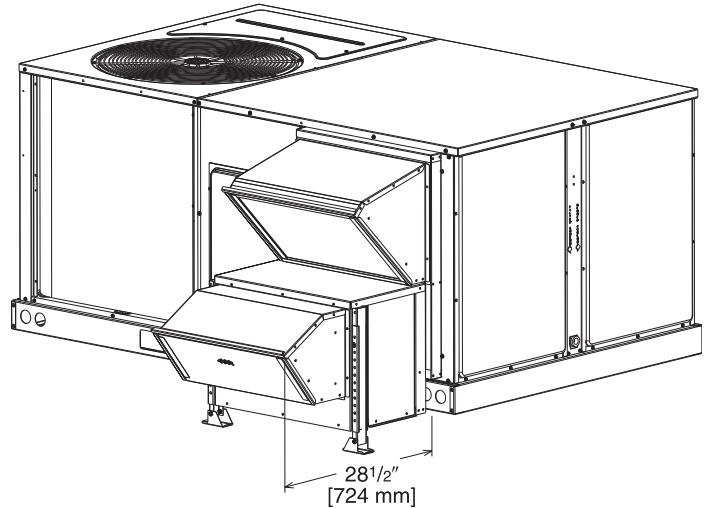
INTEGRAL POWER EXHAUST FOR ECONOMIZER (FIELD INSTALLED ONLY)

AXRX-BGF04C—RKNL-C/RKPL-C 3-5 Ton [10.6-17.6 kW] Models
208/230 V, 1PH and 3PH, 60 Hz

AXRX-BGF04D—RKNL-C/RKPL-C 3-5 Ton [10.6-17.6 kW] Models
460 V, 3PH, 60 Hz

RXXRX-BGF04Y—RKNL-C 3-5 Ton [10.6-17.6 kW] Models
575 V, 3PH, 60 Hz

- For **Honeywell** economizer.
- Downflow or horizontal applications.
- Requires separate 208-230 volt – 1 PH power supply with disconnect or requires separate 460V - 1 PH power supply with disconnect.
- Adjustable switch on economizer, factory preset to energize power exhaust at 95% outside air position.
- Polarized plug connects power exhaust relay to economizer.



POWER EXHAUST KIT FOR RXRD-MECM(-) ECONOMIZERS

Model No.	No. of Fans	Volts	Phase	Watts (ea.)	High Speed		FLA (ea.)	LRA (ea.)
					CFM ①	RPM		
AXRX-BGF04C	1	208-230	1	1000	2500	1725	4.4	23.7
AXRX-BGF04D	1	460	1	800	2370	1620	1.8	4.1
AXRX-BGF04Y	1	575	1	800	2370	1620	1.8	4.1

① CFM is at 0" W.C. external static pressure.

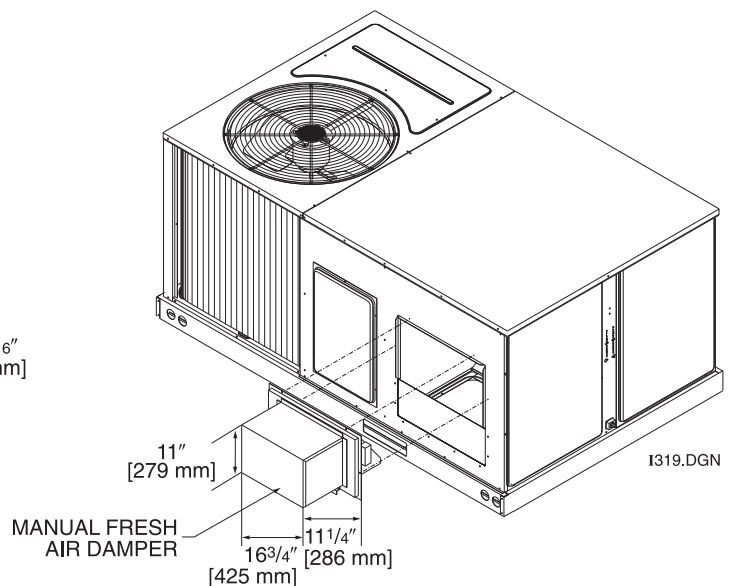
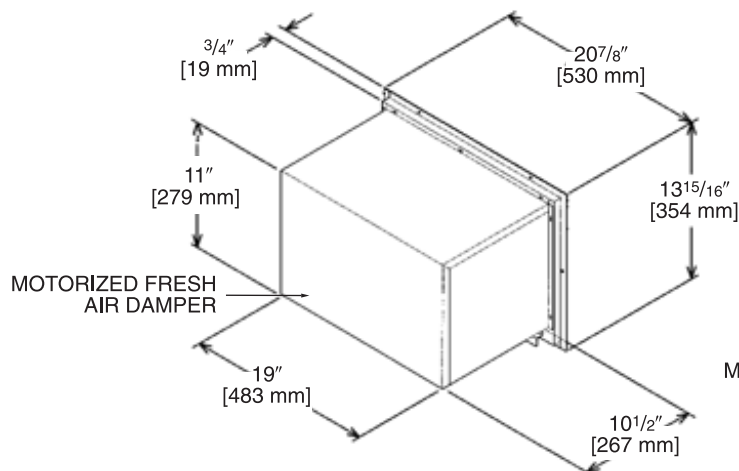
FRESH AIR DAMPER

RKNL-C 3-5 Ton [10.6-17.6 kW] Models

RKPL-C 3-5 Ton [10.6-17.6 kW] Models

AXRF-FBA1 (Manual)

AXRF-FBB1 (Motorized)



[] Designates Metric Conversions