

4 in. and 2 in. Return Grille Filter

SPECIFICATION DATA



APPLICATION

The Return Grille Filter is a high-efficiency, long-life replacement for return grille applications. It captures a significant amount of the airborne particles in the air that circulate through the filter.

(Rheem recommends allowing a depth of four to seven inches behind the grille to provide space for the deeper filter and airflow through the filter.)

FEATURES

- **Mounts in most third-party return filter grilles.**
- **Provides high-efficiency alternative to one-inch filter.**
- **Captures particles as small as 0.3 micron.**
- **Pleated filter for greater media capacity.**
- **Easy installation. Pre-assembled filter easily inserts into and out of existing return grille.**

- **Frame design nests properly into place.**
- **Low pressure drop reduces strain on equipment, provides a comfortable air flow, and maintains equipment efficiency longer than standard filters.**

SPECIFICATIONS

IMPORTANT

The specifications in this publication do not include normal manufacturing tolerances; therefore, this unit may not exactly match the listed specifications. Also, this product is tested and calibrated under closely controlled conditions, and some minor differences in performance can be expected if those conditions are changed.

Efficiency:

(Efficiency Ratings Based on ASHRAE Standard 52.2-1999.)

4 in. Minimum Efficiency Reporting Value (MERV): 10 at 295 fpm.

Initial Efficiency: 31% (0.3-1.0 micron particles).

Initial Efficiency: 86% (3.0-10.0 micron particles).

2 in. Minimum Efficiency Reporting Value (MERV): 8 at 295 fpm.

Initial Efficiency: 18% (0.3-1.0 micron particles).

Initial Efficiency: 75% (3.0-10.0 micron particles).

Initial Pressure Drop:

4 in.: 0.12 in. wc at 2 cfm per sq. in.

2 in.: 0.18 in. wc at 2 cfm per sq. in.

Temperature Rating: -40° to 140°F (-40° to 60°C).

Approvals: Underwriters Laboratories, Inc.: Listed to UL900, Class 2.

Replacement Schedule:

Replace 4 in. every 12 months and 2 in. every 6 months; more often if filter appears dirty enough to block airflow through heating/cooling system.

Typical Installations:

Installs easily in most brands of return filter grilles. See Fig. 1 for typical installation.

Dimensions: See Fig. 2 and Table 1.



4 IN. AND 2 IN. RETURN GRILLE FILTER

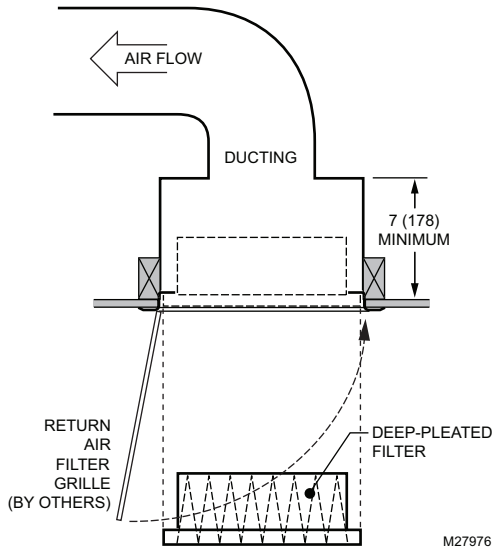


Fig. 1. Typical ceiling installation.

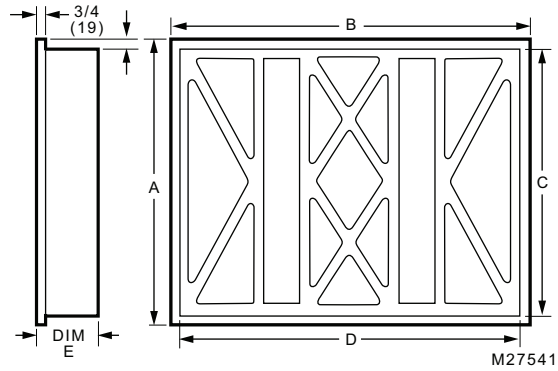


Fig. 2. Dimensions in in. (mm) (see Table 1).

Table 1. 4 in. Dimensions (See Fig. 2).

Model Number	Nominal Dimensions in in. (mm)	Dim A in in. (mm)	Dim B in in. (mm)	Dim C in in. (mm)	Dim D in in. (mm)	Dim E in in. (mm)
540022	20 X 25 (508 x 635)	19-3/4 (502)	24-3/4 (629)	18-1/2 (470)	23-1/2 (597)	4-3/8 (111)
540023	20 X 30 (508 x 762)	19-3/4 (502)	29-3/4 (756)	18-1/2 (470)	28-1/2 (724)	4-3/8 (111)
540024	16 X 25 (406 X 635)	15-3/4 (400)	24-3/4 (629)	14-1/2 (368)	23-1/2 (596)	2 (508)
540025	20 X 20 (508 x 508)	19-3/4 (502)	19-3/4 (502)	18-1/2 (470)	18-1/2 (470)	2 (508)
540026	20 X 25 (508 x 635)	19-3/4 (502)	24-3/4 (629)	18-1/2 (470)	23-1/2 (597)	2 (508)
540027	20 X 30 (508 x 762)	19-3/4 (502)	29-3/4 (756)	18-1/2 (470)	28-1/2 (724)	2 (508)

Before proceeding with installation, refer to installation instructions packaged with each model, as well as complying with all Federal, State, Provincial, and Local codes, regulations, and practices.

**RHEEM
AIR CONDITIONING
DIVISION**

5600 Old Greenwood Road, Fort Smith, Arkansas 72908



"In keeping with its policy of continuous progress and product improvements, Rheem reserves the right to make changes without notice."

® U.S. Registered Trademark
© 2008
68-3068—01 M.S. 11-08

Printed in U.S.A. on recycled paper containing at least 10% post-consumer paper fibers.