

**UNIVERSAL
PARTS**

**R/R RELIABLE
REPLACEMENTS**

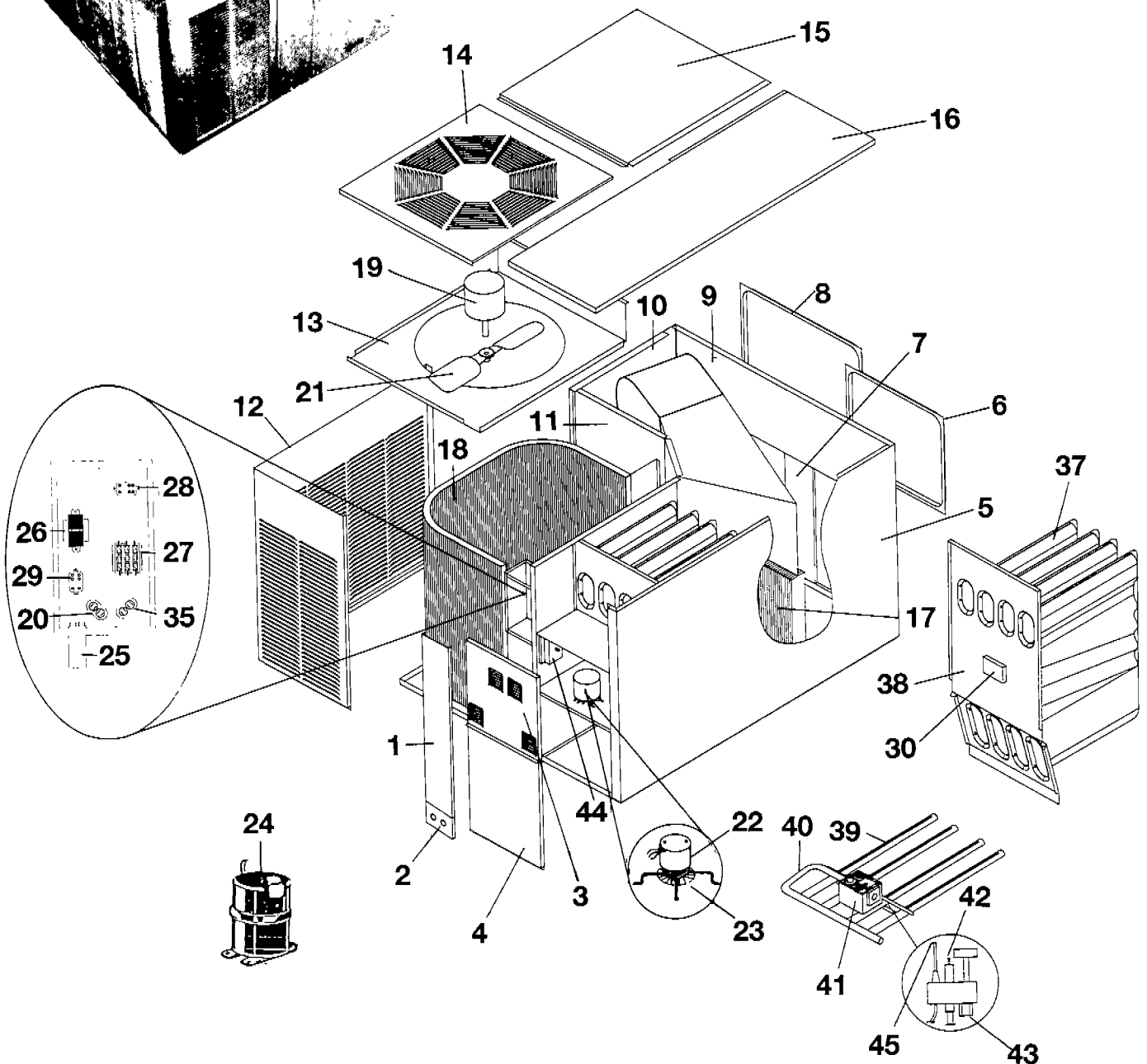
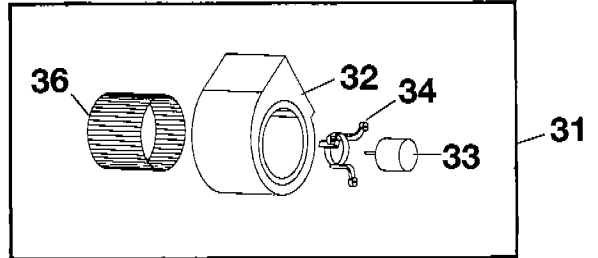
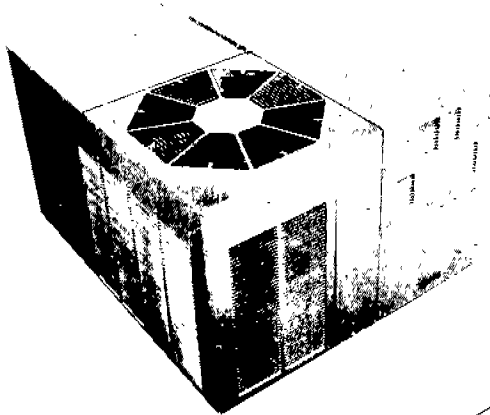
Fort Smith, Arkansas 72917-7010

REPLACEMENT PARTS LIST

MODEL [-]RGG ROOFTOP

**SIZES 04E THRU 15E
05N THRU 10N**

SERIES G



FIRST PRODUCTION 02/89 PS
THIS REVISION 11/93 PS

92-21389-50-02
SUPERSEDES 92-21389-50-01



R/R RELIABLE REPLACEMENTS
Fort Smith, Arkansas 72917-7010

REPLACEMENT PARTS LIST

MODEL [-]RGG ROOFTOP

**SIZES 04E THRU 15E
05N THRU 10N**

SERIES G

Item No.	Model Heating Capacity	Notes	[-]RGG	[-]RGG	[-]RGG	[-]RGG	[-]RGG	[-]RGG
			04/05	04/05/06	04/05/06	06/07/11	06/07/11	06/11/13
	Nominal Cooling Capacity		06/07	07/09/10	07/09/10	12/13/15	12/13/15	
	Electrical Designation			11/12	11/12			
			18/24	30/31/36	36/37	48/49/60	48/49/60	48/49/60
			25	37/42/43		61	61	61
			J	J/C	D	J/C	D	Y
19	CONDENSER FAN GROUP Fan Motor: 1/5 HP, 208-230 Volt, 1 Speed 1/3 HP, 208-230 Volt, 1 Speed 1/3 HP, 460 Volt, 1 Speed 1/4 HP, 575 Volt, 1 Speed	<input checked="" type="checkbox"/> <input checked="" type="checkbox"/> <input checked="" type="checkbox"/> <input checked="" type="checkbox"/>	51-23055-11	51-23055-11		51-23053-11	51-21853-84	51-21569-01
20	Fan Motor Capacitor: 3/370 MFD/Volts, Oval 5/370 MFD/Volts, Oval	<input type="checkbox"/> <input type="checkbox"/>	43-20847-04	43-20847-02	43-20847-02	43-20847-04	43-20847-04	43-20847-04
21	Fan Blade: 18" Dia., 28° Pitch, CCW 20" Dia., 28° Pitch, CCW 22" Dia., 27° Pitch, CCW	<input checked="" type="checkbox"/> <input checked="" type="checkbox"/> <input checked="" type="checkbox"/>	70-21859-01	70-20839-01	70-20839-01	70-20608-01	70-20608-01	70-20608-01
▲	Motor Mounting Bracket	<input checked="" type="checkbox"/>	AS-55306-02	AS-55306-02	AS-55306-02	AS-55306-02	AS-55306-02	AS-55306-02
Item No.	Model Nominal Cooling Capacity	Notes	[-]RGG	[-]RGG	[-]RGG	[-]RGG	[-]RGG	
			18/24/25	30/31/36	42/43	48/49	60/61	
				37				
22	COMBUSTION VENT GROUP Vent Motor With Blades	<input checked="" type="checkbox"/>	51-21964-11	51-21964-11	51-21964-11	51-21964-11	51-21964-11	
23	Vent Motor Fan Blades: 70-21937-01 70-21937-02 70-21937-03	<input type="checkbox"/> <input type="checkbox"/> <input type="checkbox"/>	Heating Capacity 04 - 07	Heating Capacity 04 - 07 09 - 10 11 - 12	Heating Capacity 06 - 07 09 - 10 11 - 12	Heating Capacity 06 - 07 11 - 15	Heating Capacity 10 09, 11 - 15	
▲	Vent Fan Orifice Plate AE-56765-01 AE-56765-03 AE-56765-05 AE-56765-06 AE-56765-07 * DO NOT USE AN ORIFICE PLATE	<input checked="" type="checkbox"/> <input checked="" type="checkbox"/> <input checked="" type="checkbox"/> <input checked="" type="checkbox"/> <input checked="" type="checkbox"/> <input checked="" type="checkbox"/>	Heating Capacity 04 - 07	Heating Capacity 04 - 07 09 - 10	Heating Capacity 06 - 07 09 - 10	Heating Capacity 06 - 07 13 - 15	Heating Capacity 10 13-15	
▲	Vent Fan Blade Plate Heat Capacity	<input checked="" type="checkbox"/>	AE-56796-01 04 - 07	AE-56796-02 04 - 10 AE-56796-03 11 - 12	AE-56796-03 06 - 12	AE-56796-04 06 - 15	AE-56796-04 09 - 15	
▲	Vent Fan Blade Plate Heat Capacity	<input checked="" type="checkbox"/>						