



# ECO-VALVE

## Figure # 5020AB

Low Lead Full Port EzPress Ball Valve

### Product Features

- 600# WOG
- DZR-Brass Body
- Dual EzPress Ends
- Chrome Plated Ball
- PTFE Seats
- Blow-Out Proof Stem
- Adjustable Packing
- MSS-SP-110
- NSF 61-G & NSF 372 Certified



Certified to  
ANSI/NSF 61

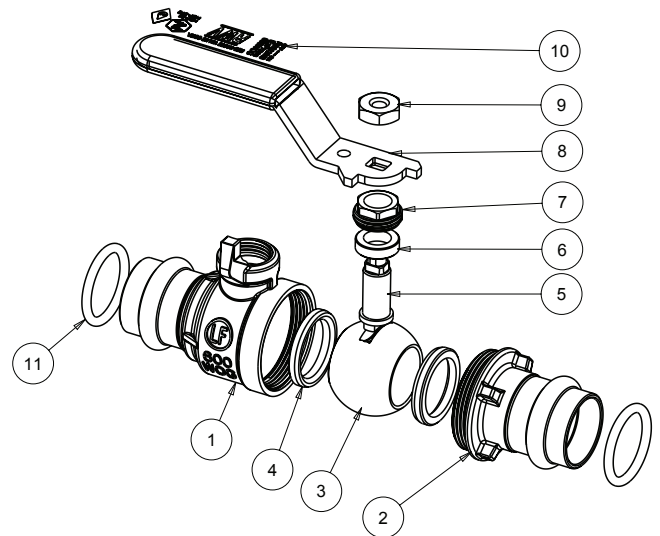


### Technical Specifications

Size	1/2	3/4	1	1-1/4	1-1/2	2
Cv	15	30	60	110	130	360
T Max - F	266	266	266	266	266	266
P max valve @ 200F	600	600	600	600	600	600
P max connection psi	200	200	200	200	200	200

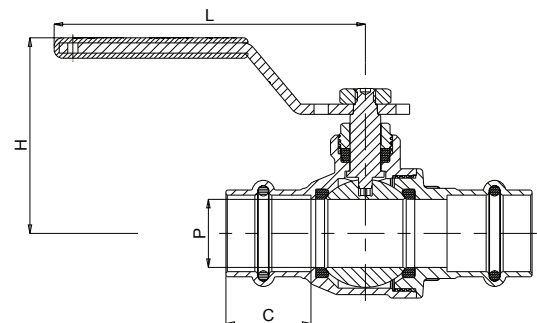
### Materials & Specifications

Item	Description	Material	Specification
1	Body	Low Lead Brass	UNS C27453
2	Body cap	Low Lead Brass	UNS C27453
3	Ball	Low Lead Brass/Cr plated	UNS C28500
4	Seat	PTFE	PTFE
5	Stem	Low Lead Brass	UNS C28500
6	Packing ring	PTFE	PTFE
7	Packing nut	Brass	B124 C37700
8	Handle	Steel / Geomet Plated	A36 Geomet
9	Handle nut	Steel / Zn Plated	A36
10	Valve Info	-	-
11	O-ring	EPDM Perox	NSF approved



### Dimensions, Weights (inches-lbs.) & Valve Data

Size	1/2	3/4	1	1-1/4	1-1/2	2
A	2.93	3.54	3.90	4.29	5.24	6.18
C	0.86	0.98	1.06	1.06	1.26	1.46
H	2.13	2.26	2.58	2.82	3.29	3.58
L	3.60	3.60	4.98	4.98	5.57	5.57
P	0.59	0.79	0.98	1.26	1.57	1.97
Wt.	0.49	0.72	1.10	1.68	2.67	3.92



### RED-WHITE VALVE CORP.

20600 Regency Lane, Lake Forest, CA 92630

TEL: 949.859.1010 • FAX: 949.859.7200 • www.redwhitevalvecorp.com

(161215)